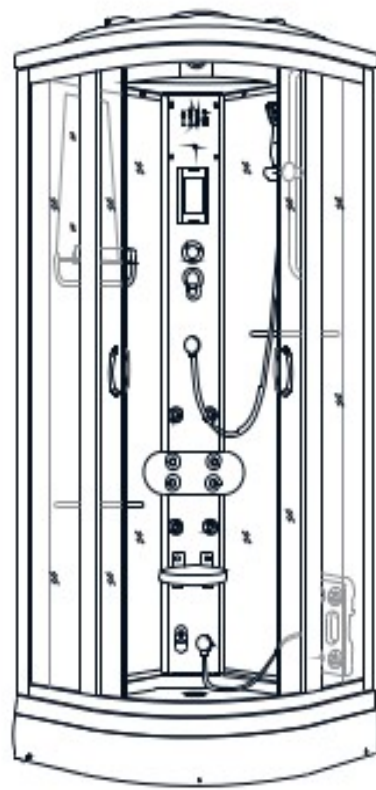


INSTALLATION GUIDE

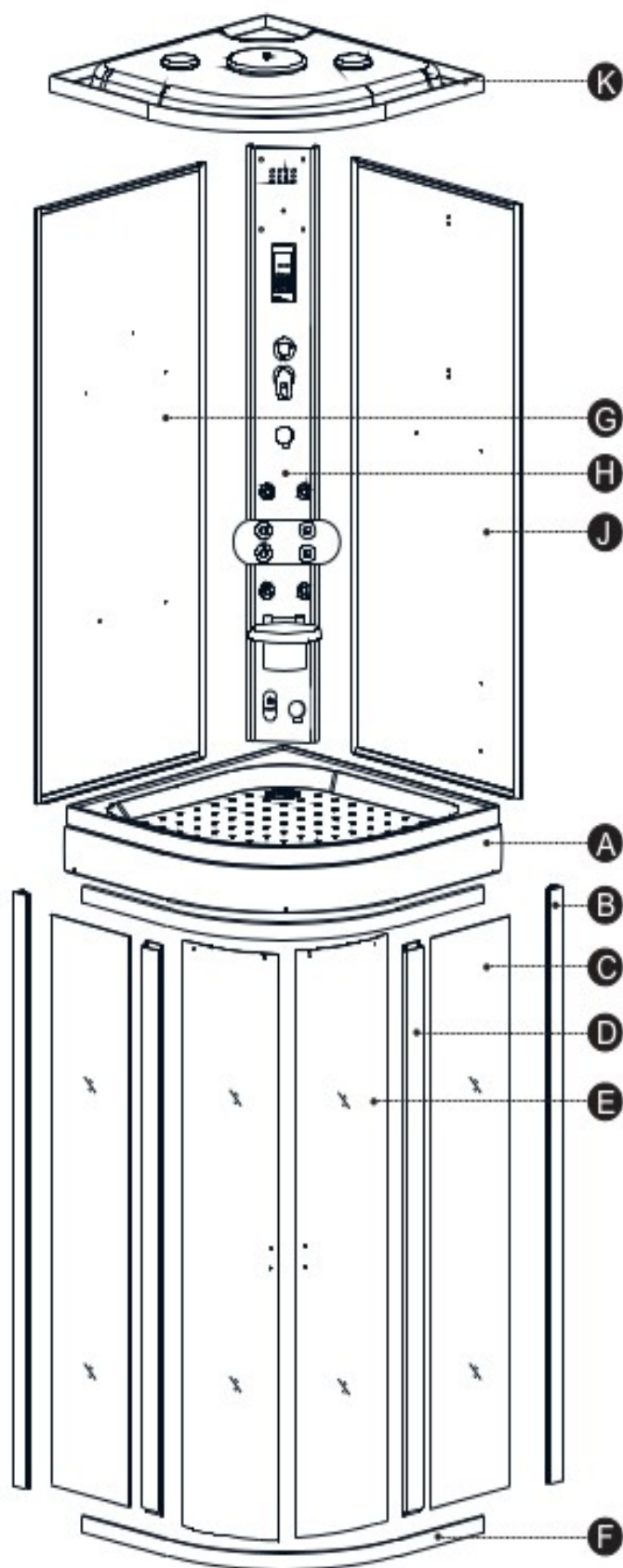


Thanks for choosing our products,we'll provide best service for you.Please carefully read the whole manual before installation and use.

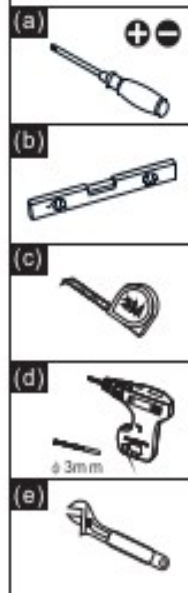
## CONTENTS

The regulation of bottom tray-----	3
Assemble track、 profile and fixed glass-----	4
Be ready before install the back glass wall -----	5
Install the back glass wall-----	7
Install back panel and back glass wall-----	8
Install top roof -----	9
Connect the electric wires and water pipe-----	10
Install the sliding glass door -----	11
Complete the installtion-----	12
Adjust the sliding door -----	13

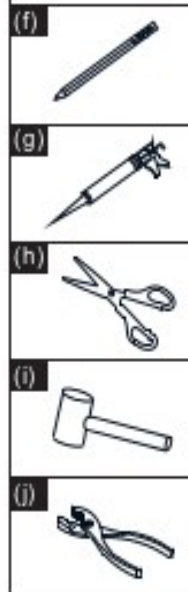
In case there are some different between picture and produces,please take the products as standard or referto the sample!



#### Essential Tools

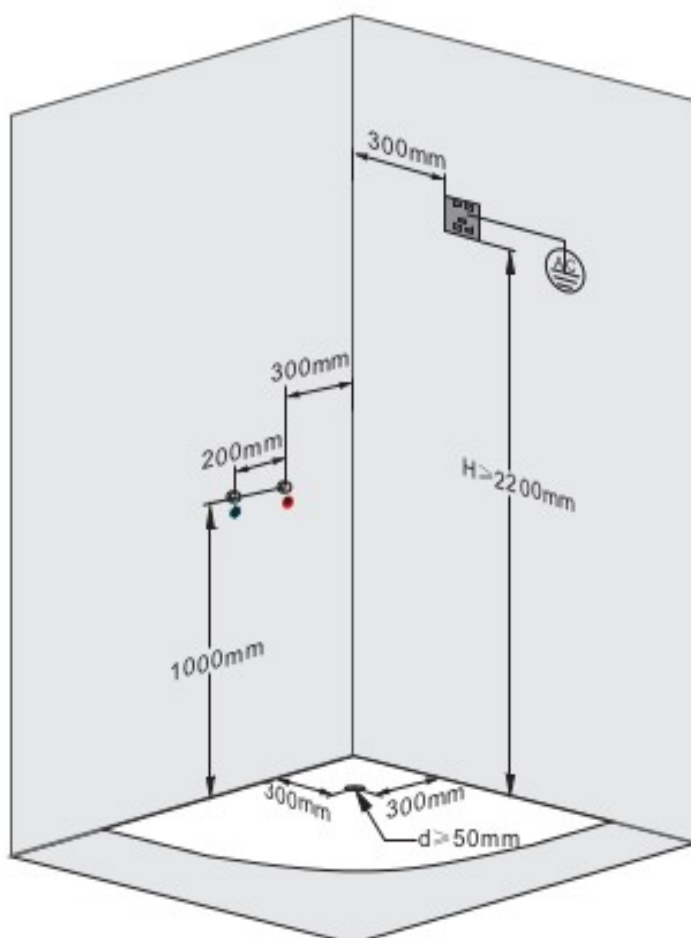


#### Secondary Tools



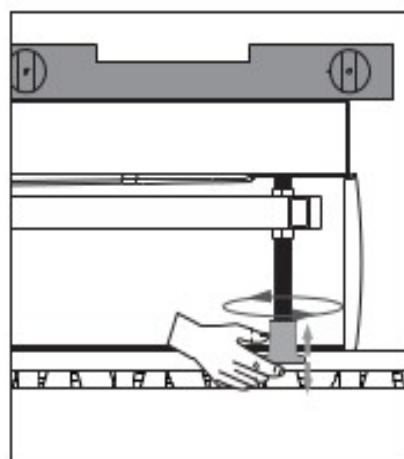
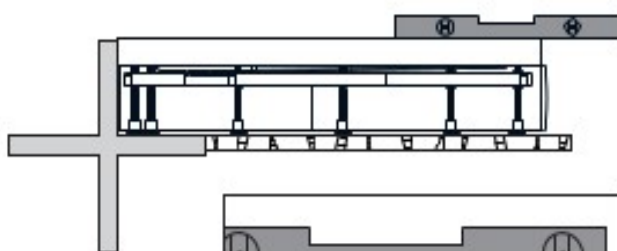
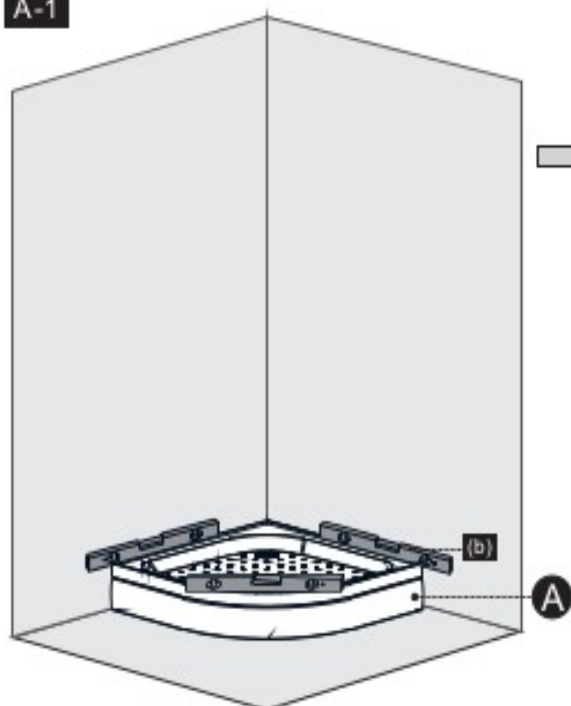
Product schematic diagram

A1  x1	C1  x2	D1  x2	D2  <b>(ST4x18)</b> x4	E1  x2	E2  x2
E3  x4	E4  x4	E5  x2	F1/J13  <b>(ST4x30)</b> x12	F2  x8	F3  <b>(ST4x10)</b> x8
G1/J1  <b>Flat (ST4x10)</b> x6	G2/J2  x2	G3/J3/J14  x24	G4/J4  <b>(M4)</b> x10	G5/J5  <b>(M4x20)</b> x10	G6/J6/F4  x10
G7/J7/F5  <b>(ST4x16)</b> x10	G8/J8/F6  x10	G9  x1	G10  x1	J9  x1	J10  x2
J11  x1	J15  x1	K1  x1	J12  x4	H1  x2	H2  •x1 •x1

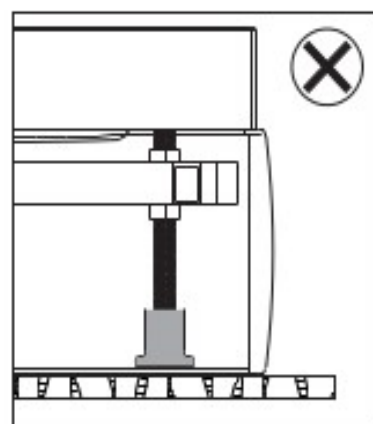
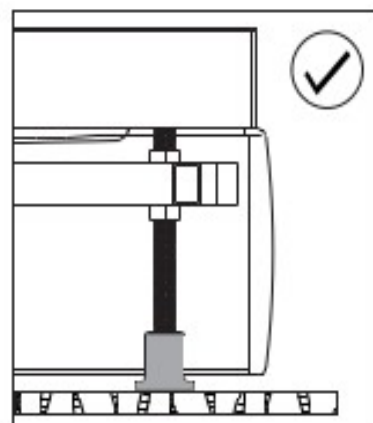
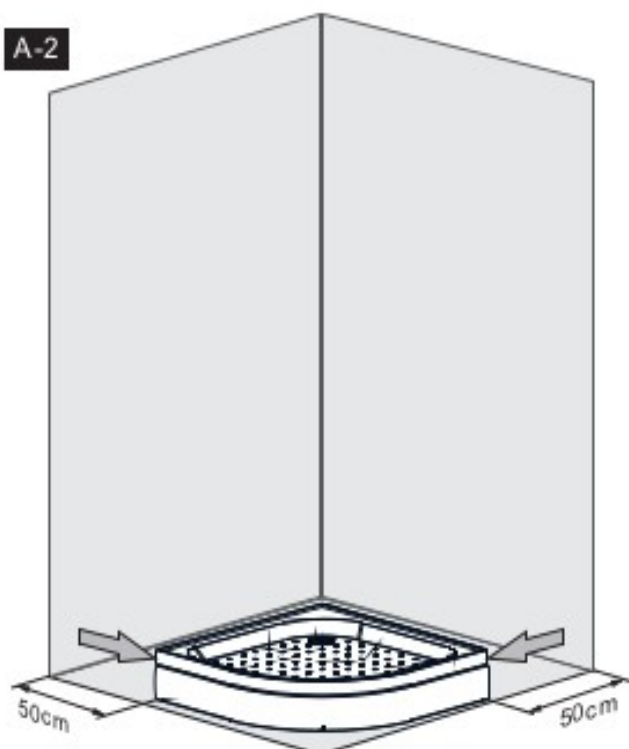


# 1) The regulation of bottom tray

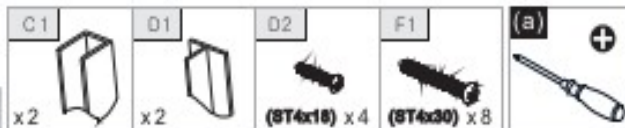
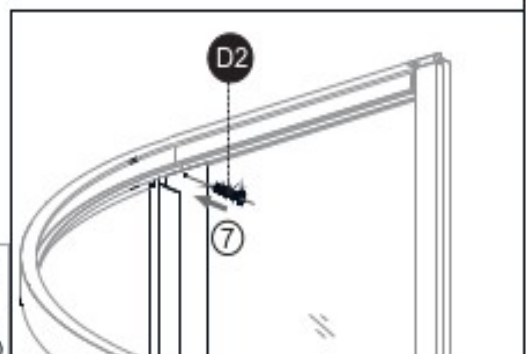
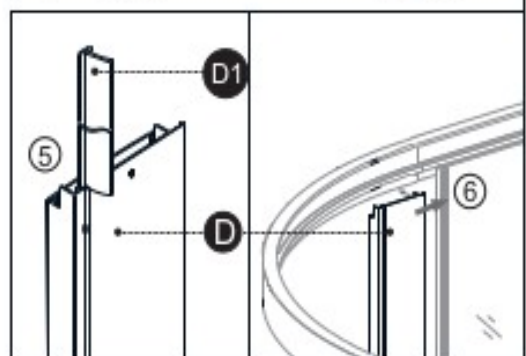
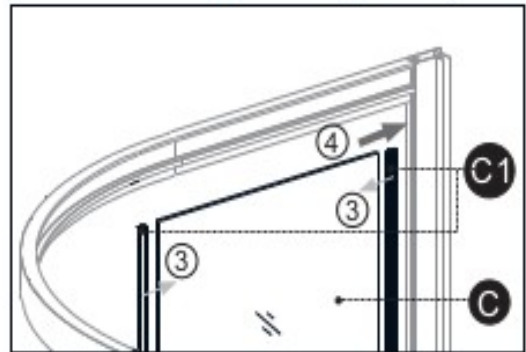
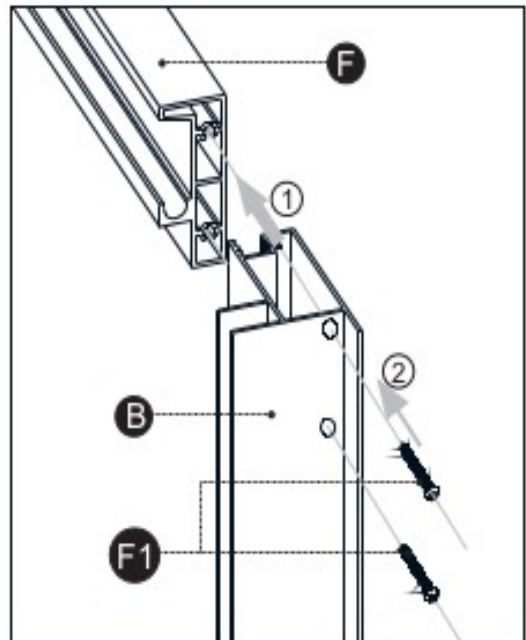
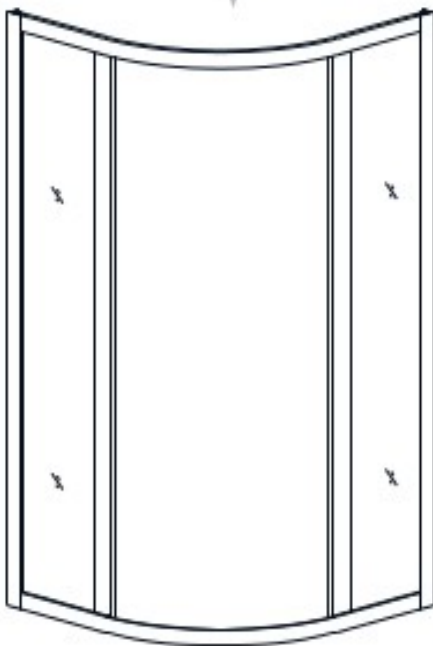
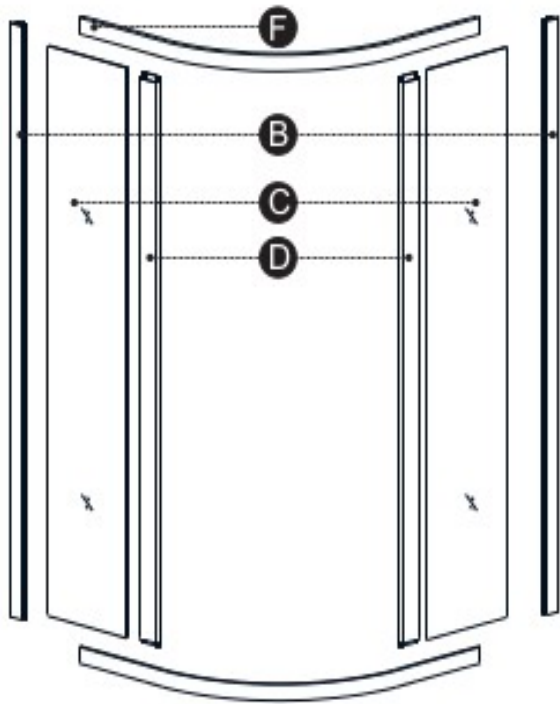
A-1



A-2

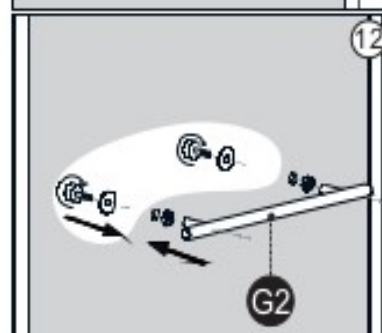
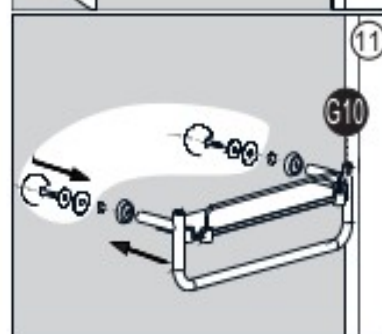
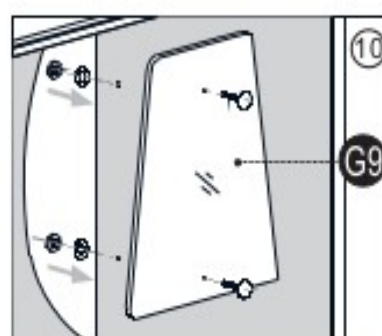
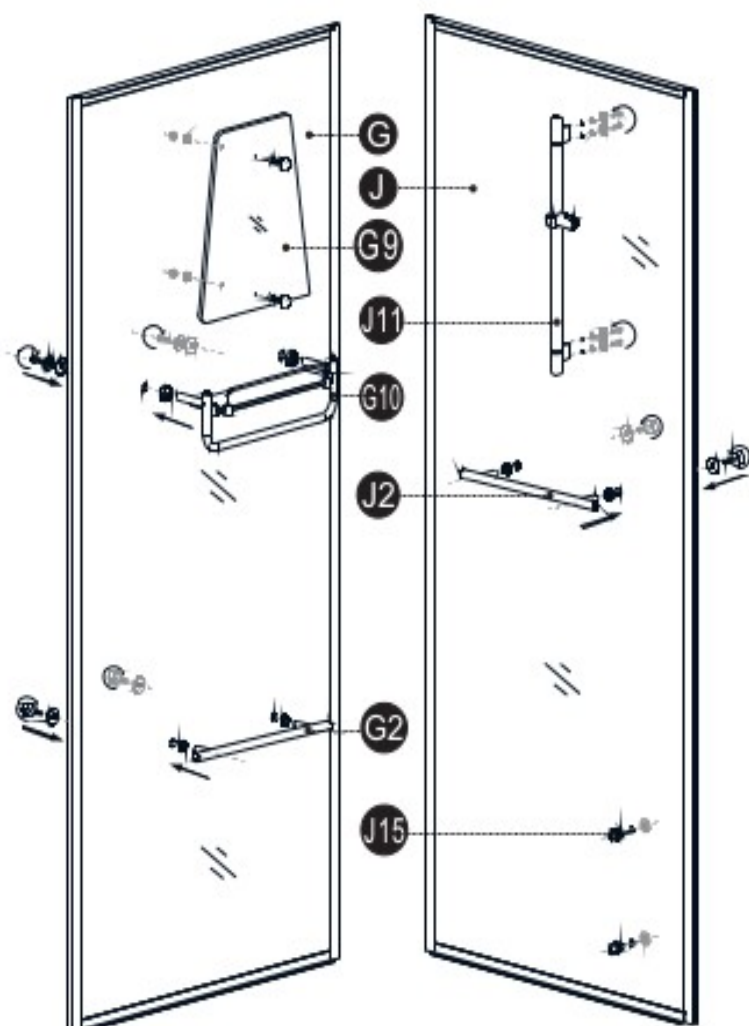
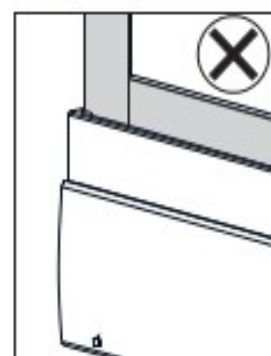
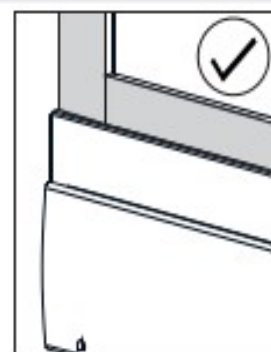
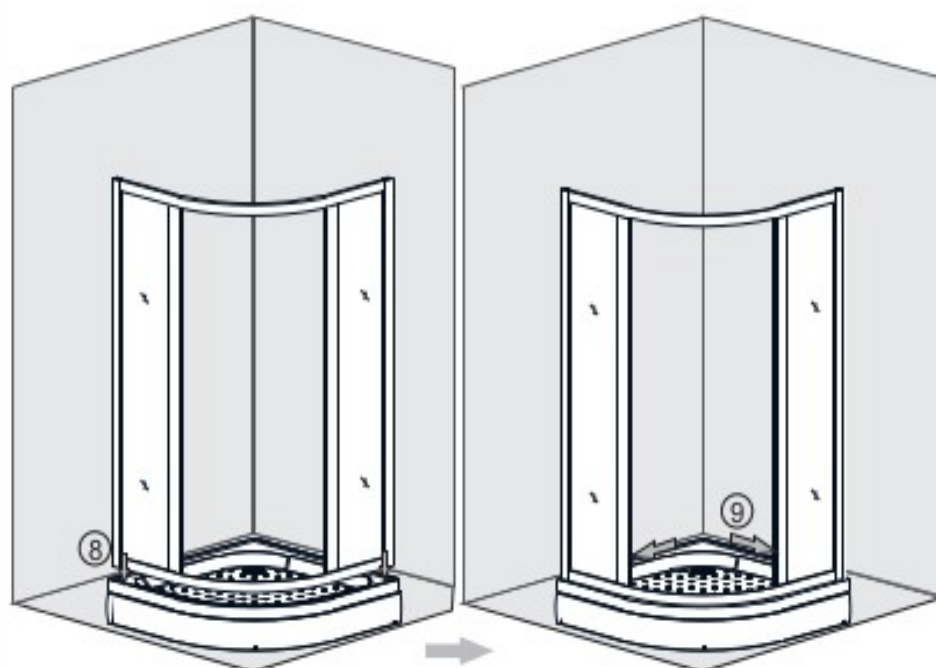


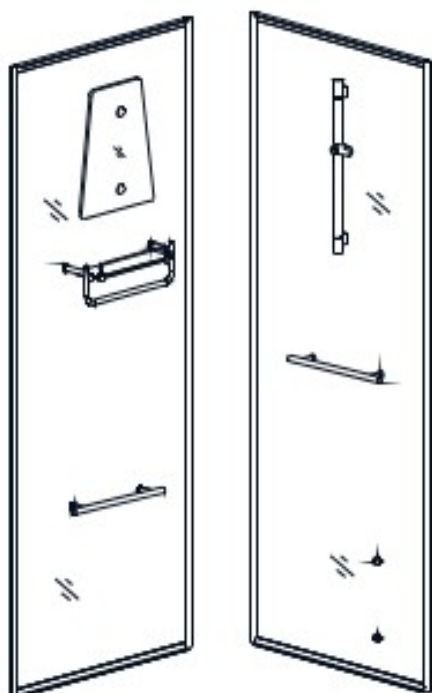
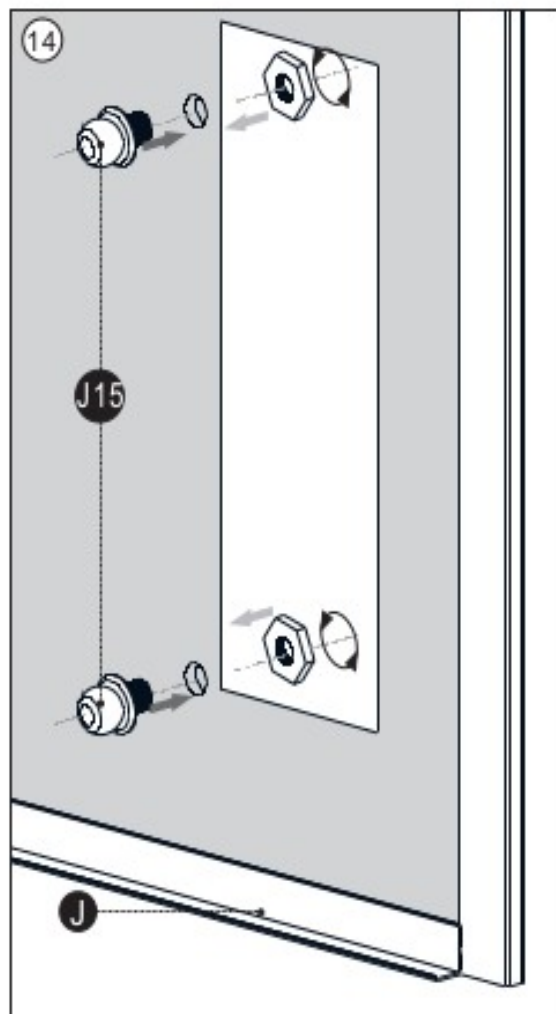
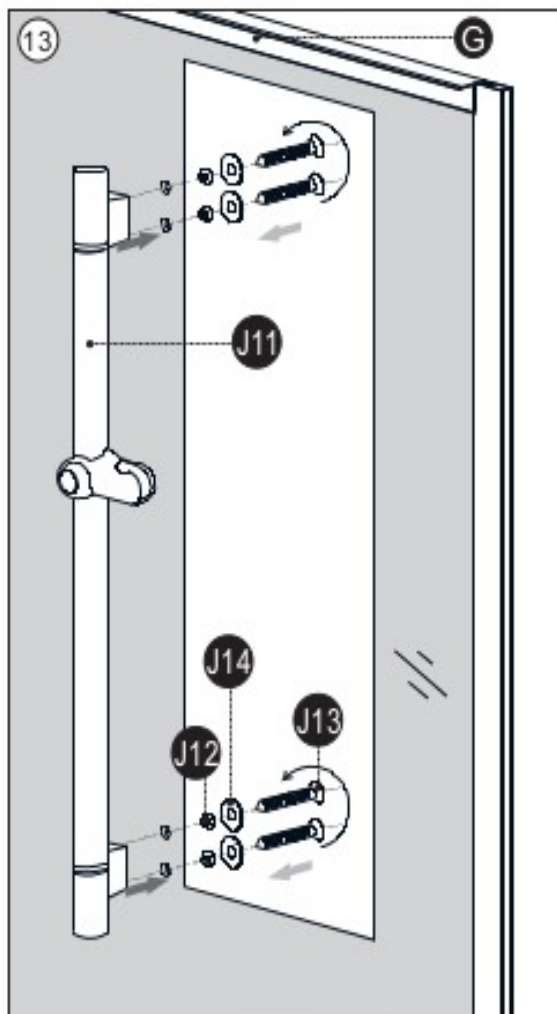
## 2) Assemble Track, Profile and fixed glass





### 3) Be ready before install the back glass wall



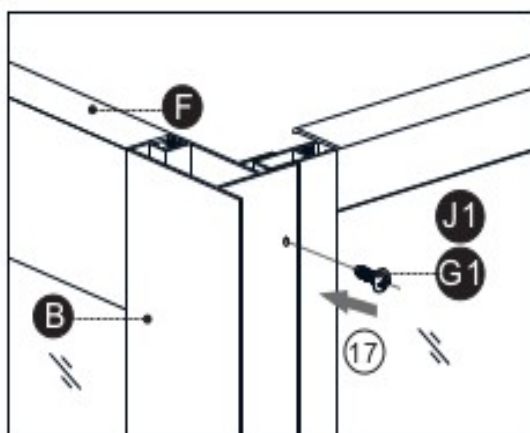
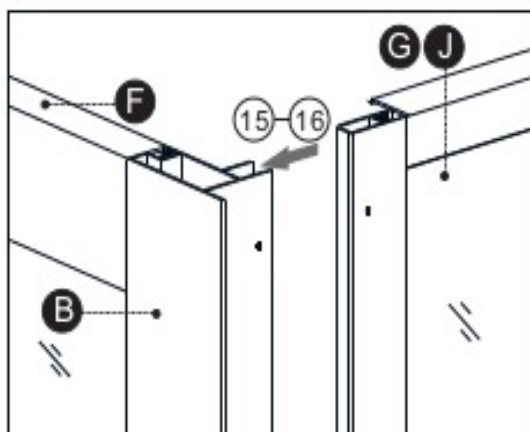
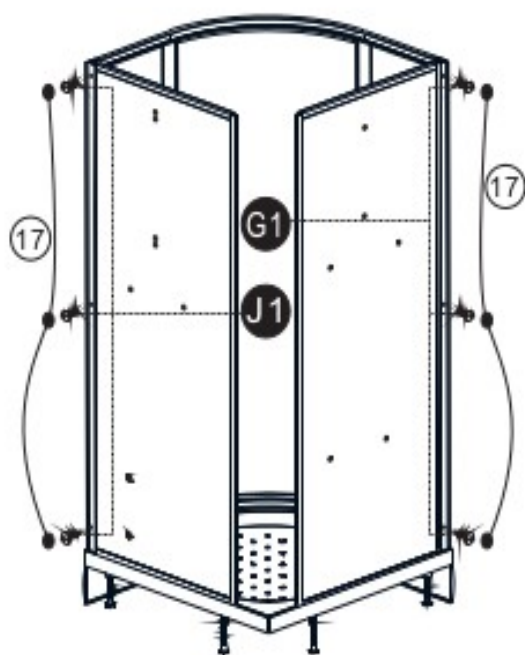
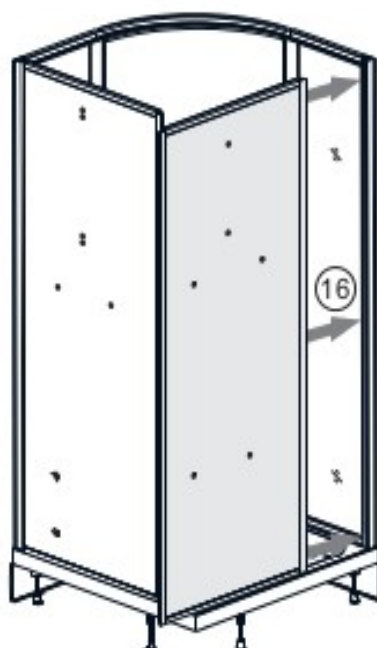
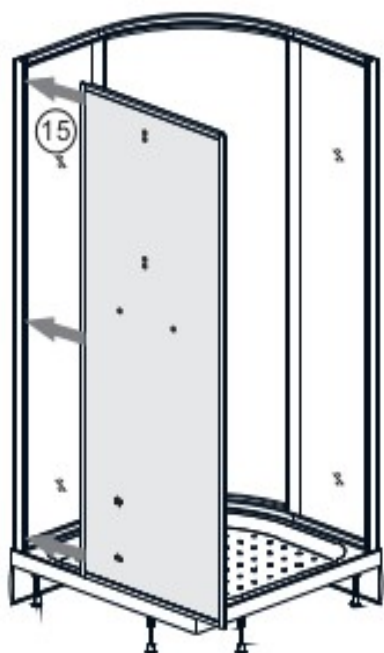


G2/J2 x2	G9 x1	G10 x1	J11 x1	J12 x4	J13 x4	J14 x4
J12 x4	J13 (BT4x30) x4	J14 x4	J15 x2			





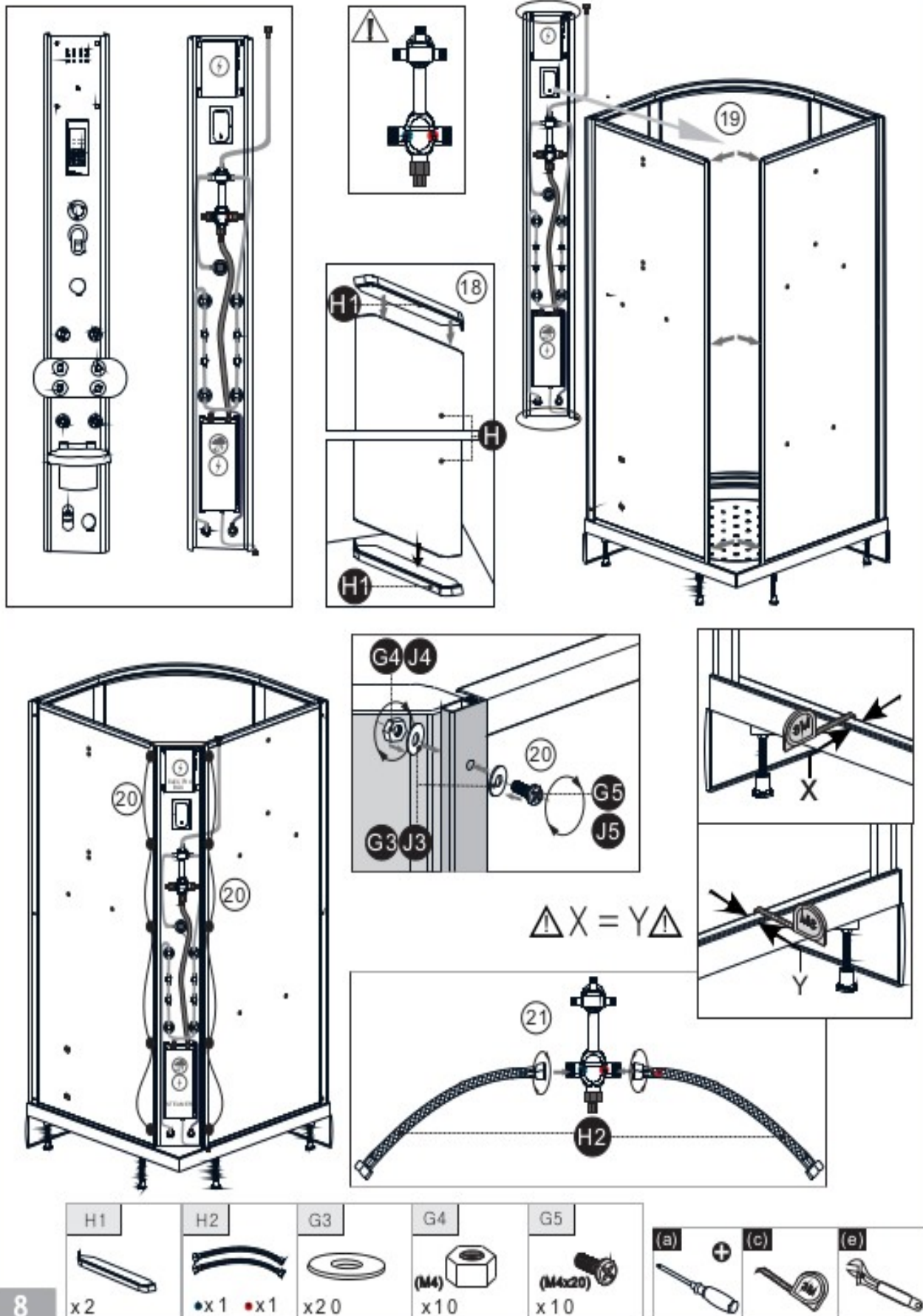
#### 4) Install the back glass wall



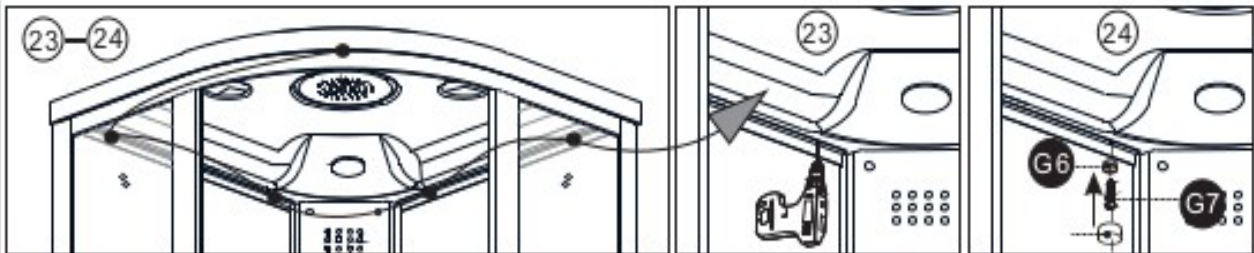
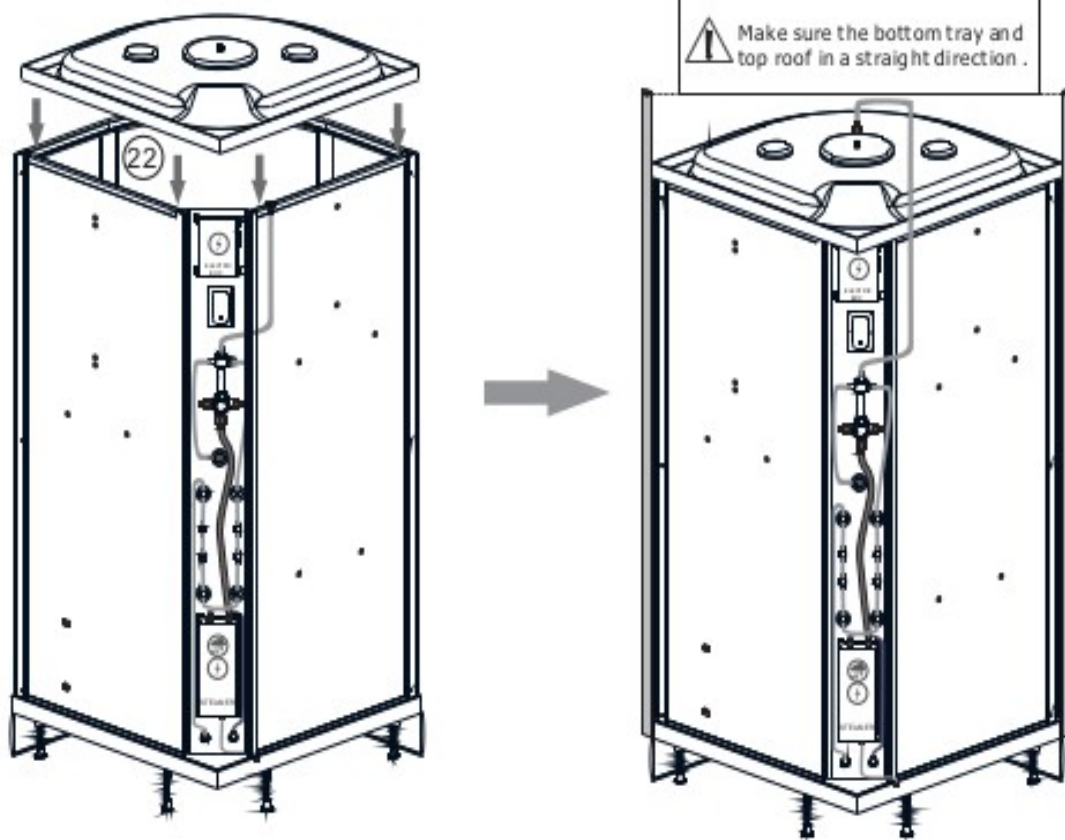
G1/J1  
  
Flat (ST4x10)  
x6


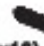



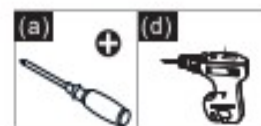
## 5) Install back panel and back glass wall



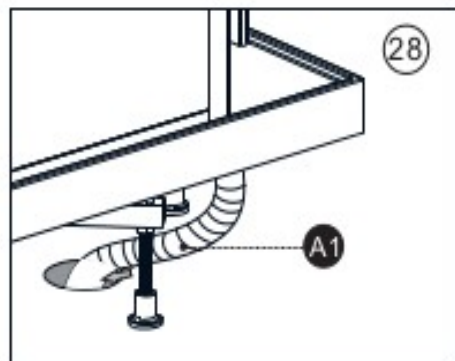
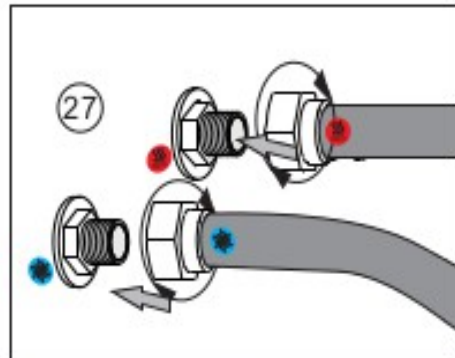
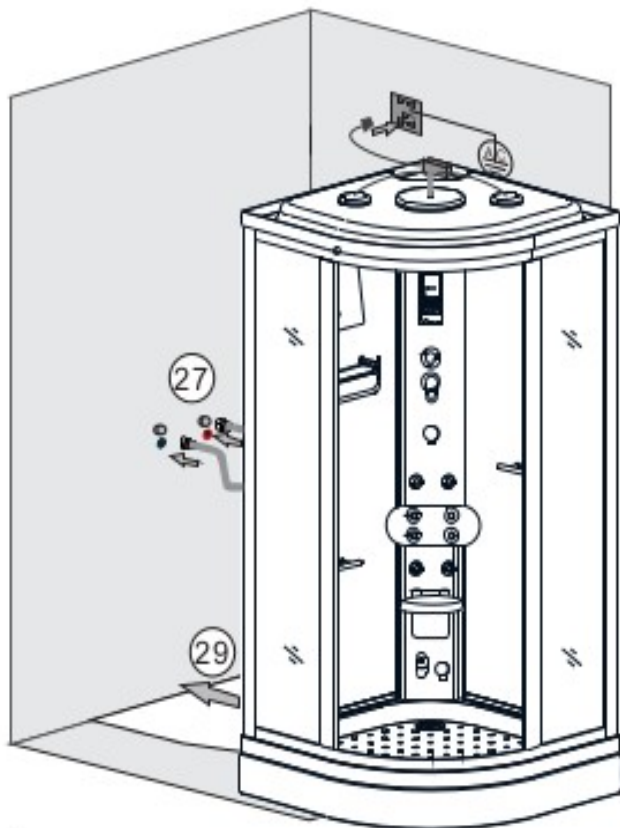
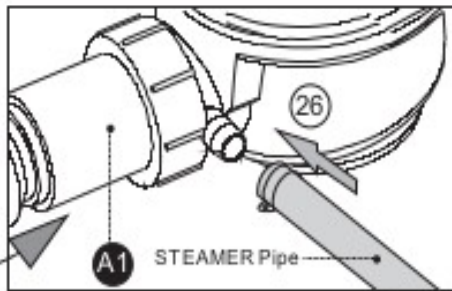
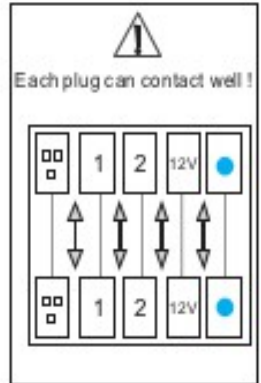
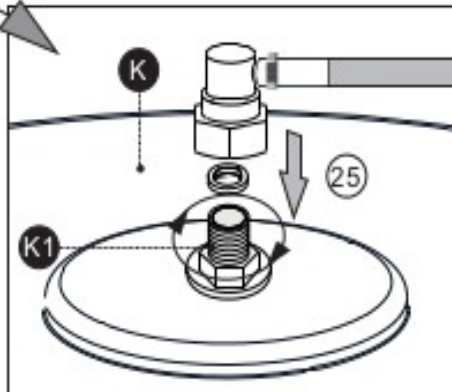
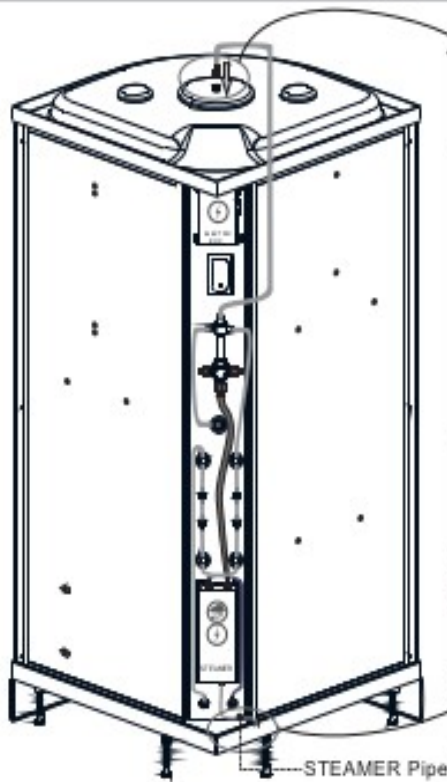
## 6) Install top roof



G6/J6/F4	G7/J7/F5	G8/J8/F6
		
x10	(ST4x16) x10	x10



## 7) Connect the electric wires and water pipe

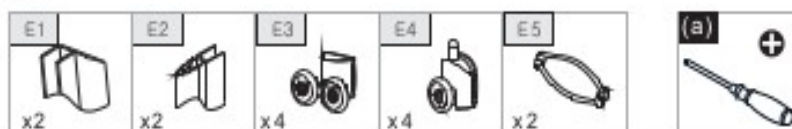
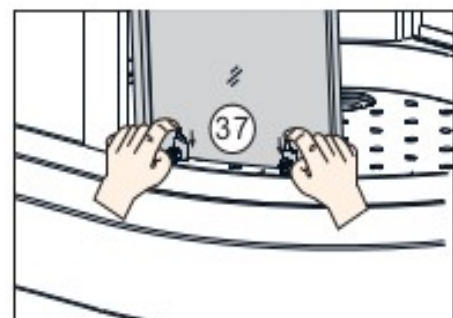
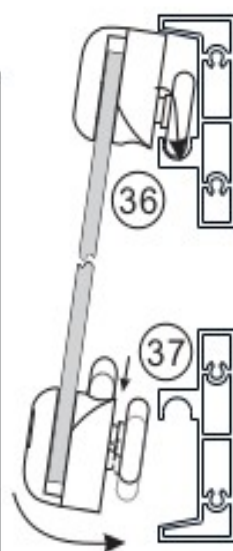
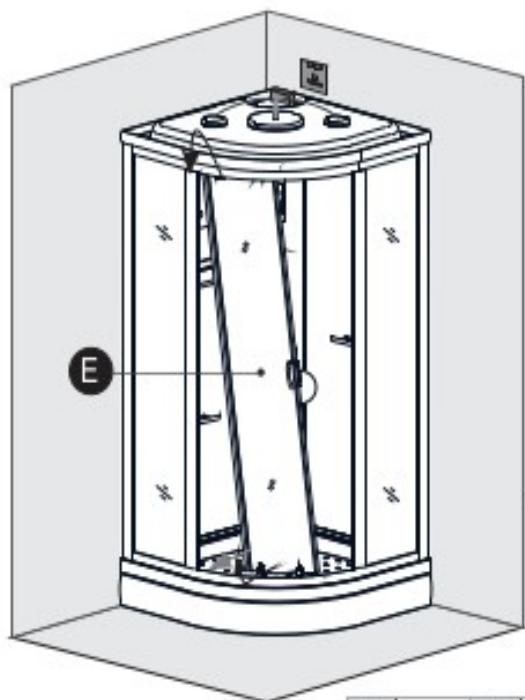
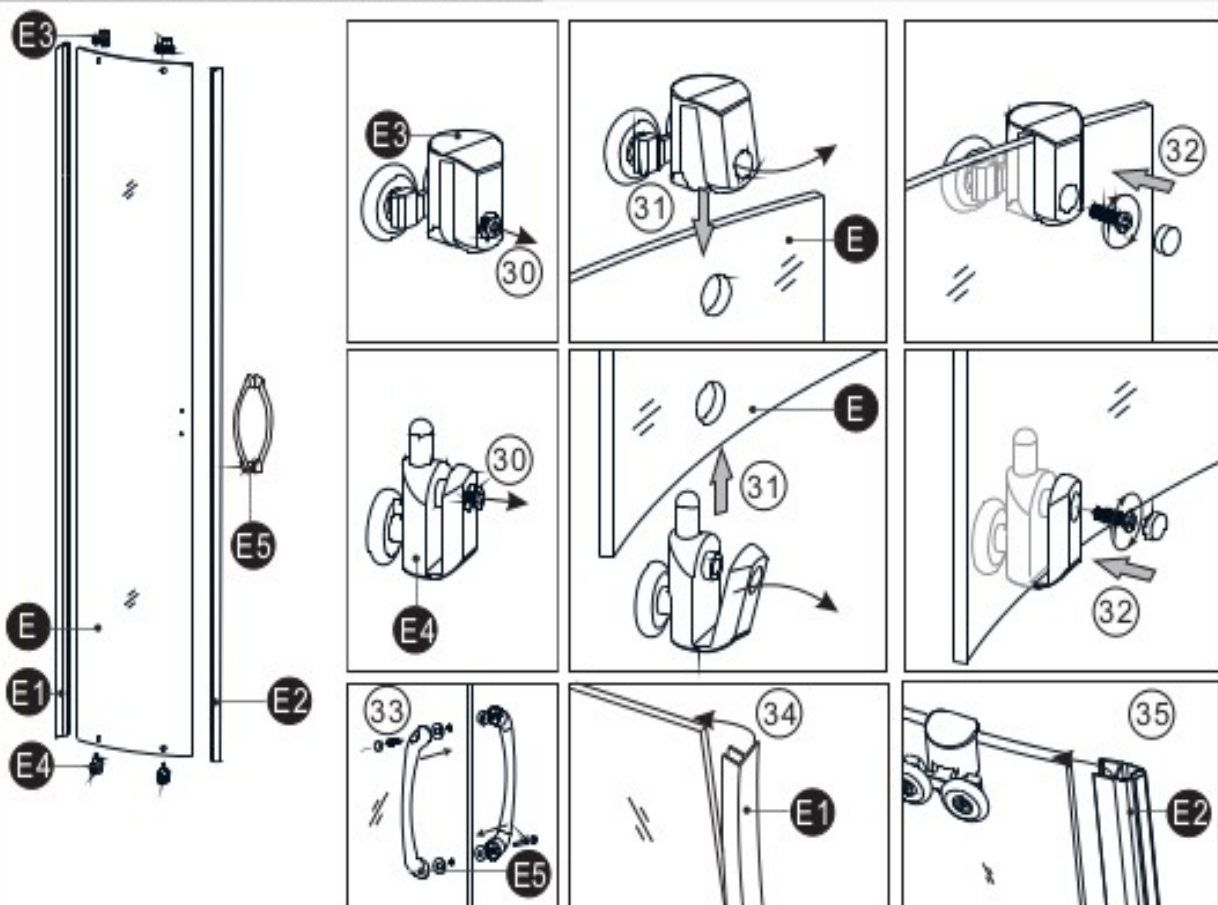


Before move the shower cabin to the wall corner , please don't forget to install the siphon in advance!

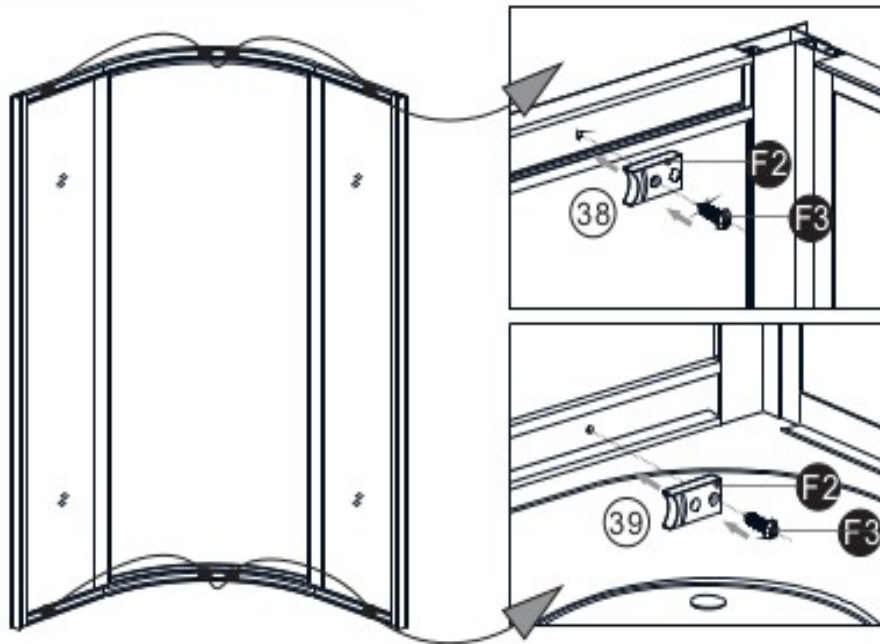




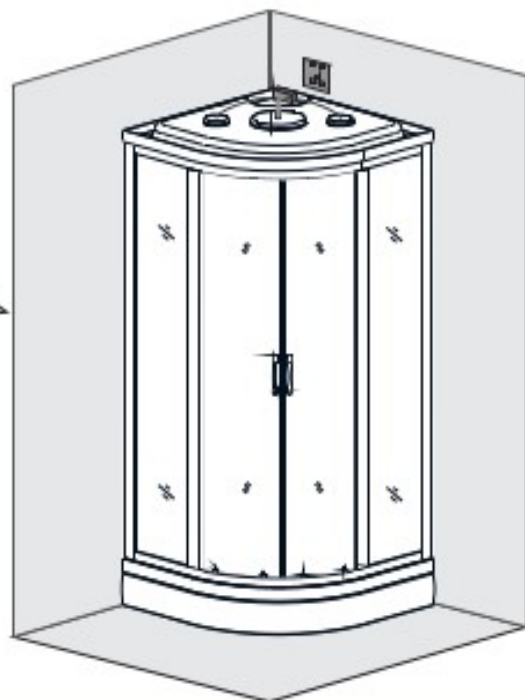
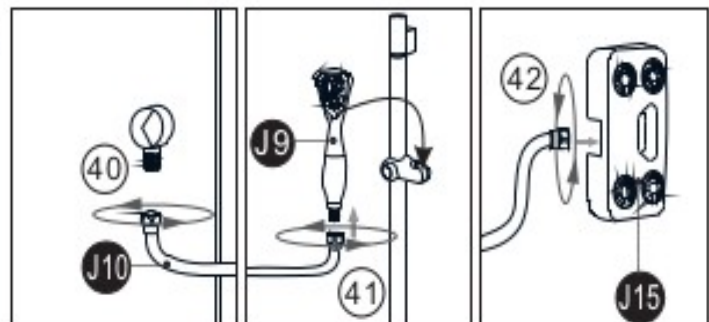
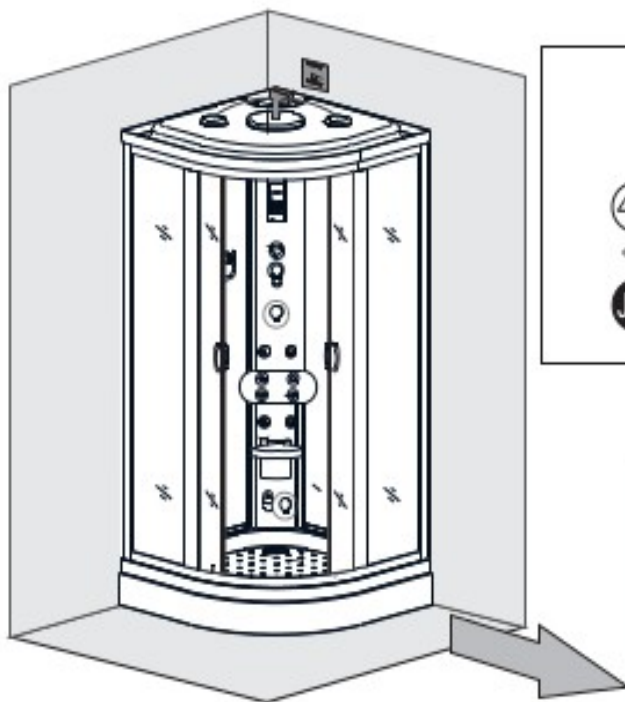
## 8) Install the sliding glass door



## 9) Complete the installation

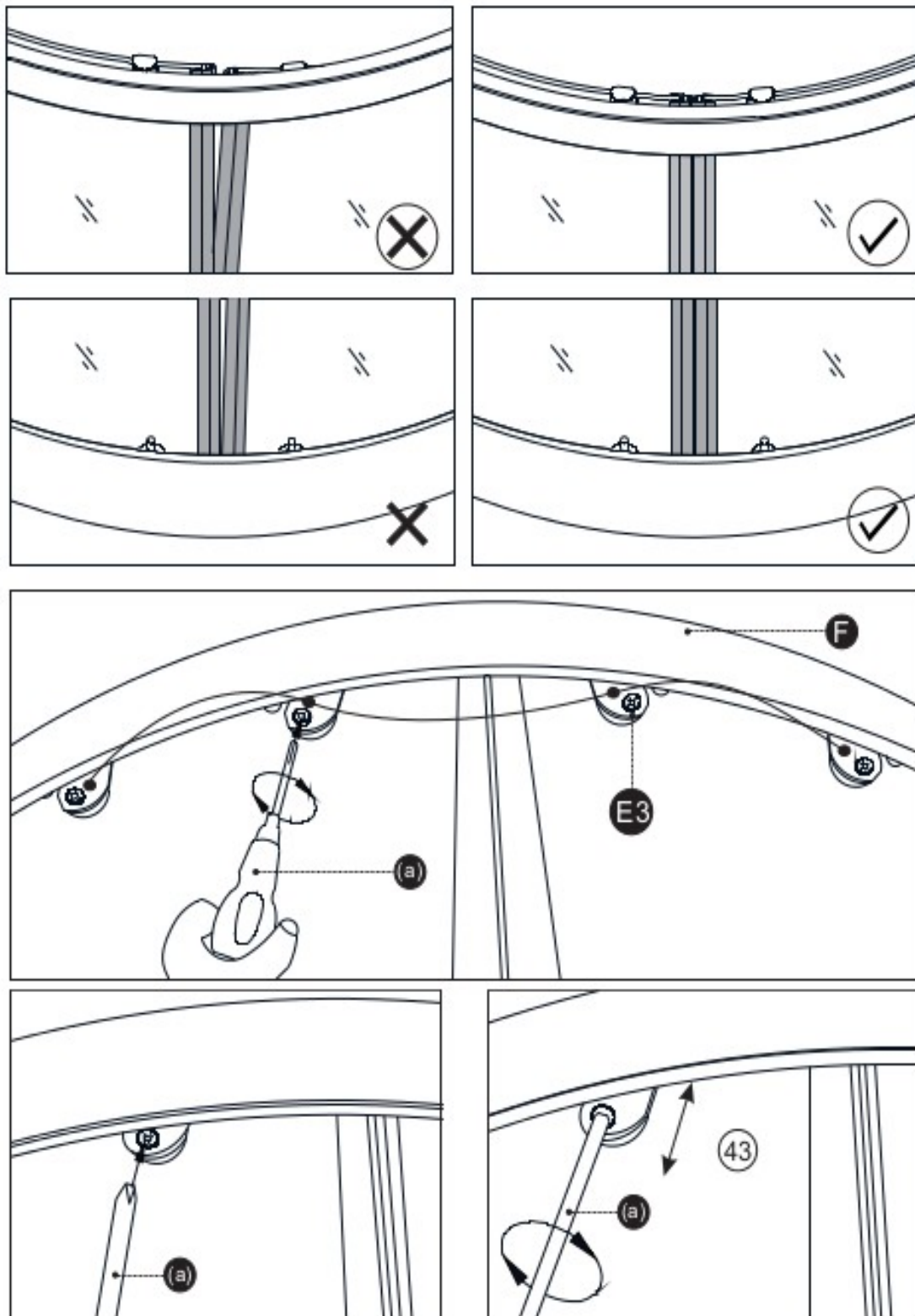



 Please note well the location of fixed rubber block!





## 10) Adjust the sliding door



 Please adjust roller screws to make sure the 2 pcs sliding door in a straight direction , make sure the door can close well and no gap .

The above just for shower cabin installation , for other related computer control panel and steamer function guide , please see its special manual book !



## Cleaning&Maintenance

- Clean the sundries regularly to prevent the drain from being jammed. Usually, clean shower room by mop with mild detergent.
- Don't clean the shower room with irritant detergent . such as alcohol, gasoline or other chemical cleaner.
- Should there be any dirty stains on the shower room, you may clean it by calico with toothpaste, but you need to clean it with water afterwards.

After the installation is completed, if you find there is much noise when the glass door moves, you may add small quantity of lubricant onto the roller wheel, slipping hook and the track.