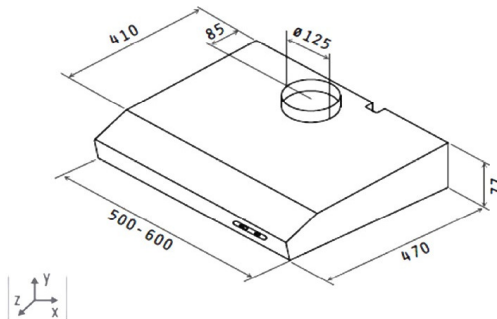


respekta cooker hood, 50 cm

Typ / Modell: DH 520 WL oder DH 540 IXL



| | |
|---|---|
| Annual Energy Consumption (AEHood) | 42 kWh / Year |
| Energy Efficiency class: | C |
| Fluid Dynamic Efficiency (FDEhood): | 5,5 |
| Fluid Dynamic Efficiency Class: | F |
| Lighting Efficiency (LEhood): | 28,1 Lux / Watt |
| Lighting Efficiency Class: | A |
| Grease Filtering Efficiency: | 76,0% |
| Grease Filtering Efficiency Class: | C |
| Air flow at minimum/ maximum speed: | 95m ³ /h / 165 m ³ /h |
| Air flow at intensive or boost setting: | - |
| Airborne acoustical A-weighted sound power emissions at minimum/ maximum speed: | 52 dB / 64 dB |
| Airborne acoustical A-weighted sound power emissions at intensive or boost setting: | - |
| Power consumption in off mode: | - |
| Power consumption in standby mode: | 0 Watt |

Equipment features / technical data

| | |
|--|--|
| Controlling: | Sliding switch |
| Material / Color: | painted steel plate / White / Inox look |
| Speed levels: | 3 |
| Lightning max.: | 1 x 3 Watt LED |
| Pipe connection (Diameter): | 125 mm |
| Voltage/frequency V/Hz: | 230 V / 50 Hz |
| Connected value: | 83 Watt |
| Incl. Fat filter (washable): 1 x MI 152 FN | EAN: 4260344976713 |
| Air recirculation; possible with charcoal filter: | Ja |
| Extras (not included): Charcoal filter (1 pcs): MI 150 KN | EAN: 4897014604487 |

Dimensions

| | |
|--|-----------------------|
| Product measurements H x W x D in cm / net weight in Kg: | 7,6 x 50 x 47 / 4,05 |
| Packing measurements H x W x D in cm / gross weight in Kg: | 12,5 x 55 x 53 / 4,65 |

| | | |
|-----------------------------|-------------------------|----------------------|
| EAN-Code DH 520 WL: | Colour White | 4260515334472 |
| EAN-Code DH 540 IXL: | Colour Inox look | 4260515334489 |