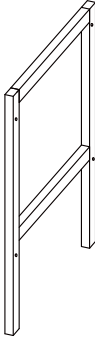
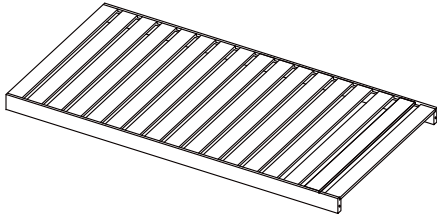
	A x 2	B x 2	
			
		C x 8	D x 1
		