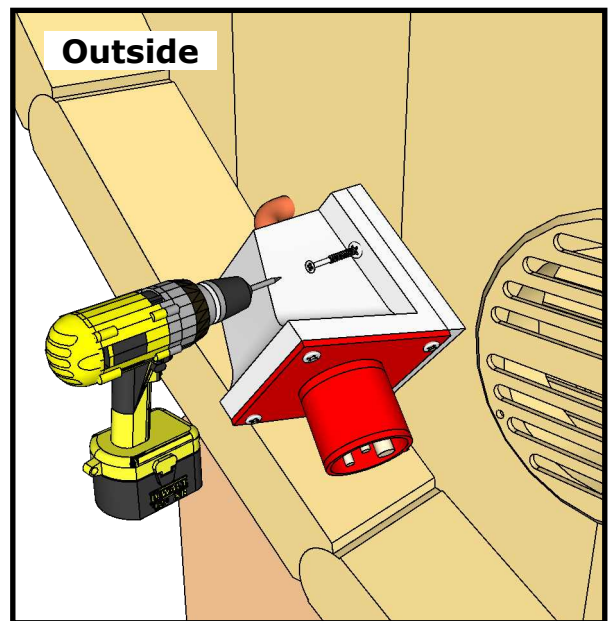
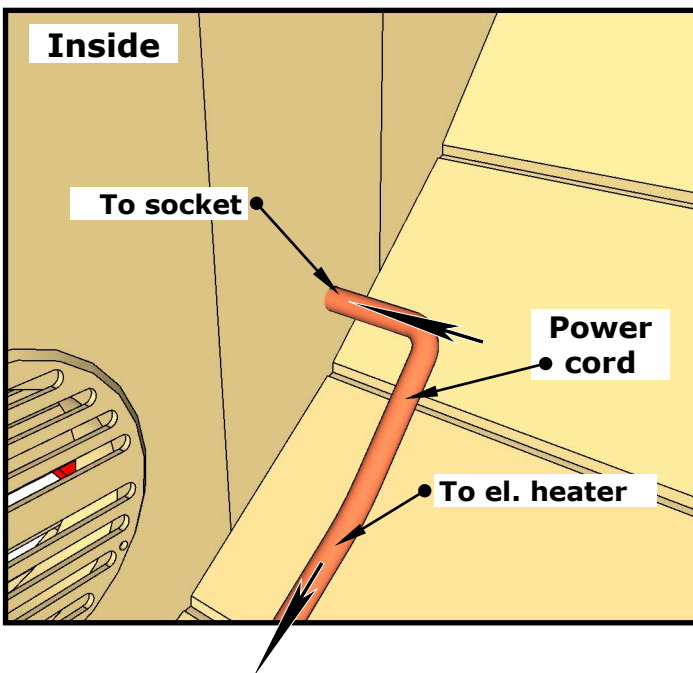
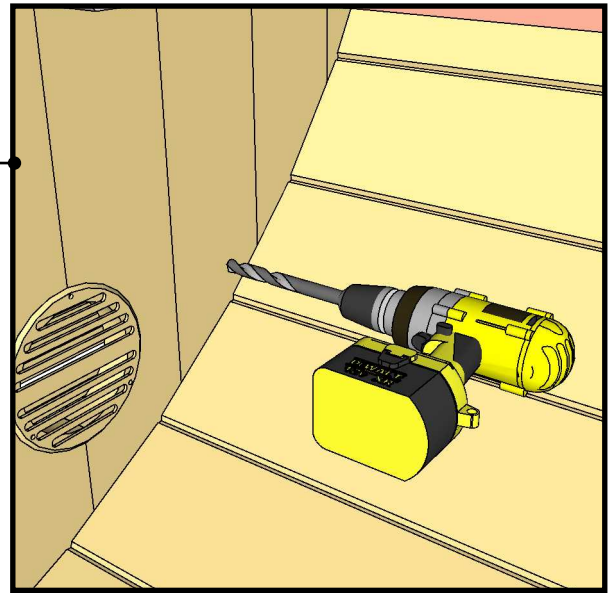
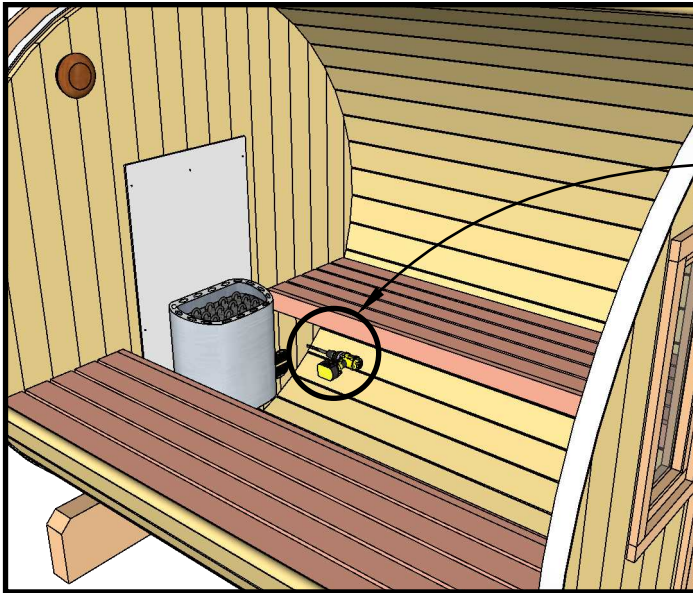
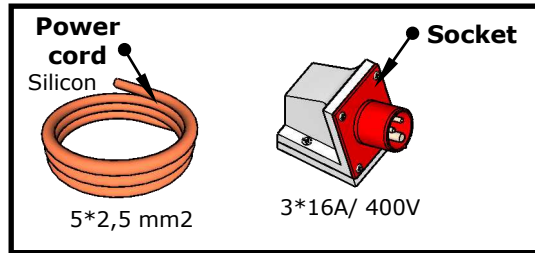


Electrical heater installation

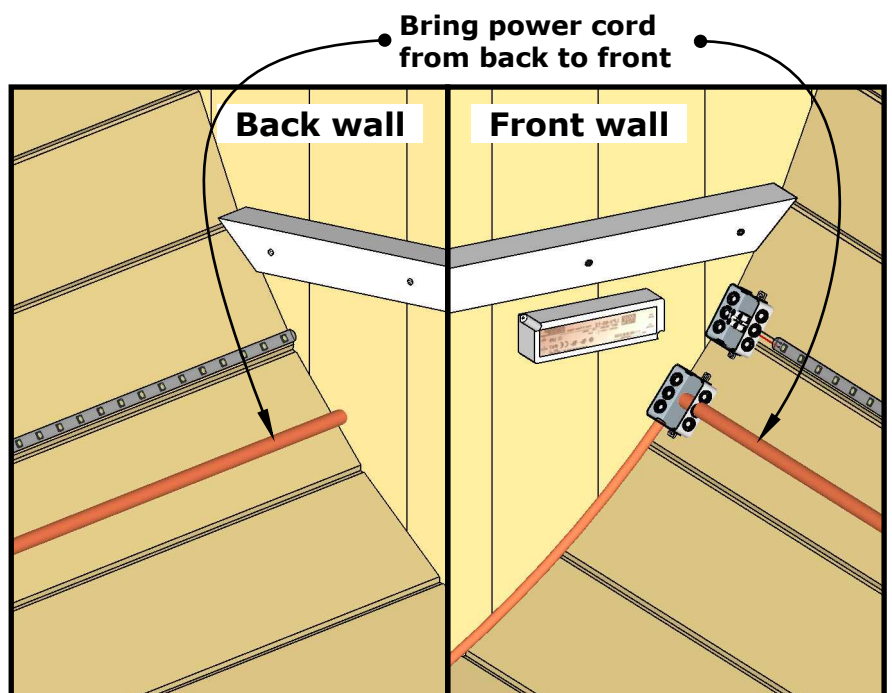
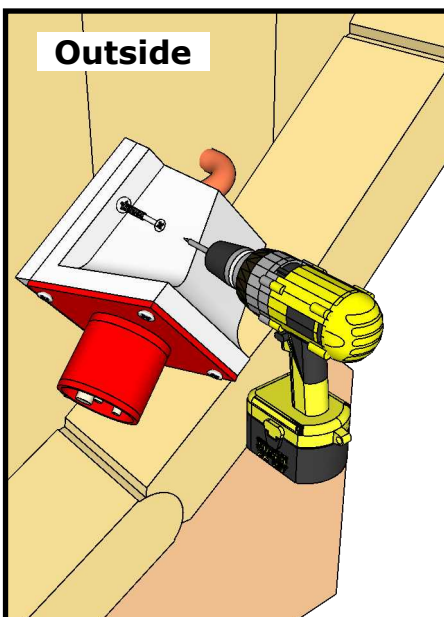
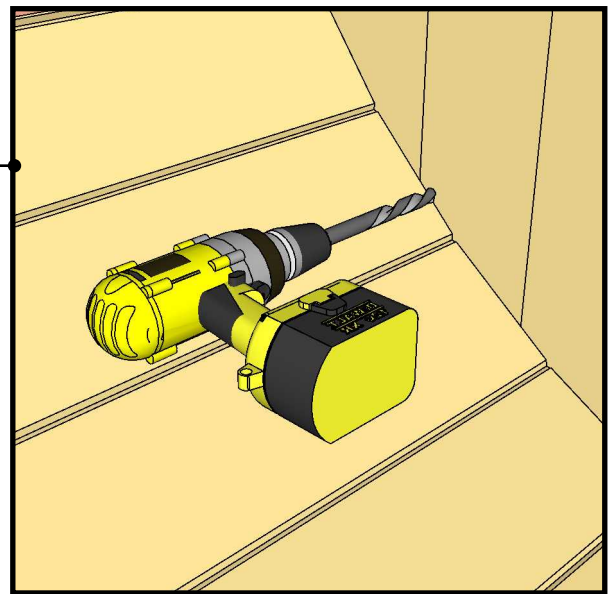
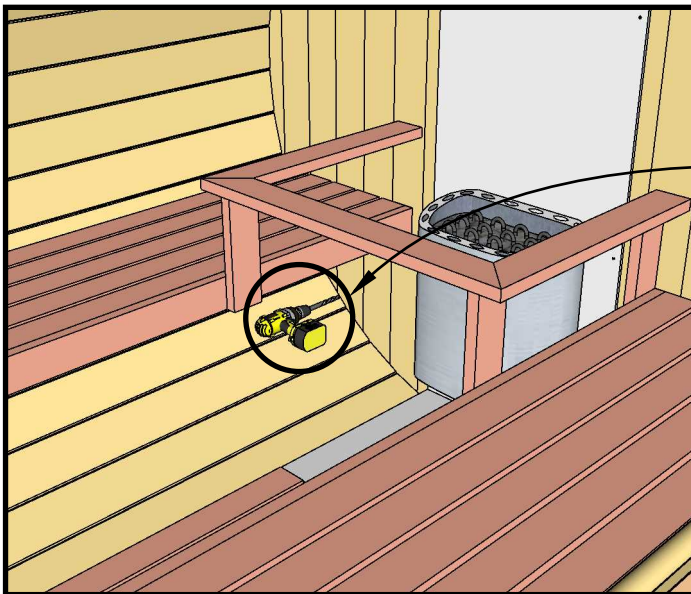
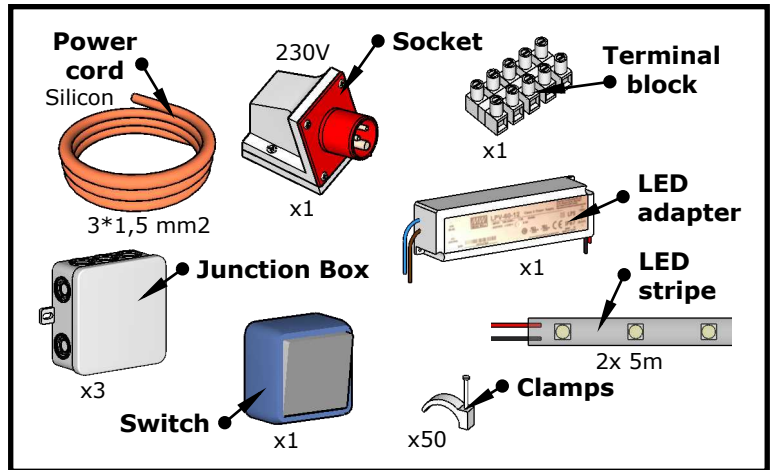
Only Electrical heater.

**ALL ELECTRICAL WORK
MUST BE PERFORMED BY
A LICENSED ELECTRICIAN !!!**



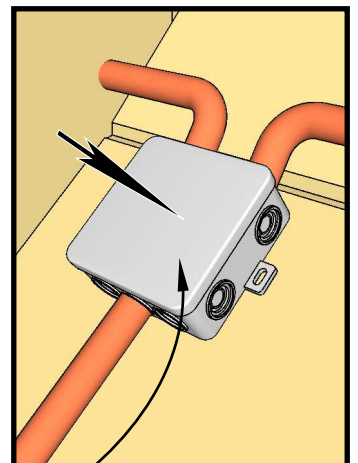
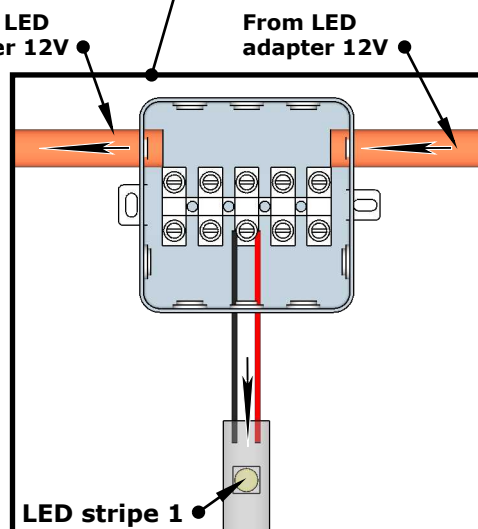
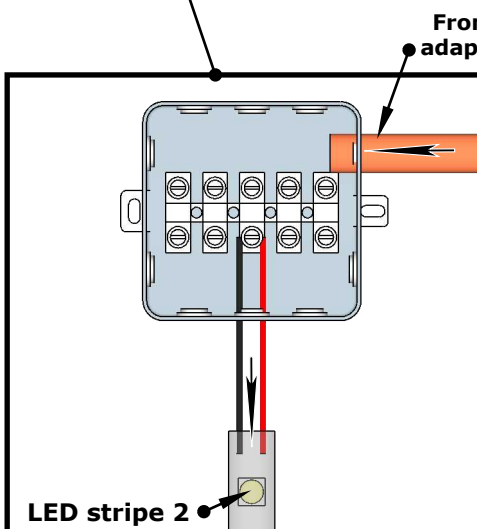
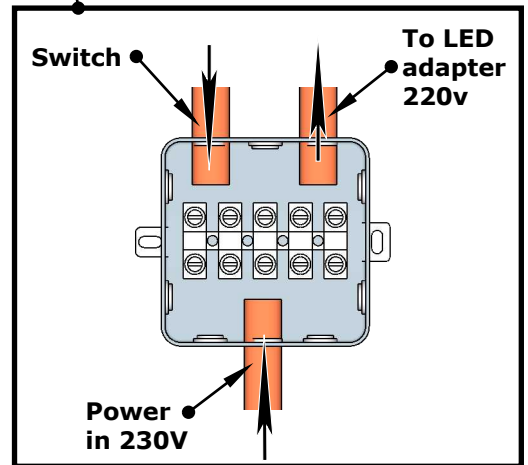
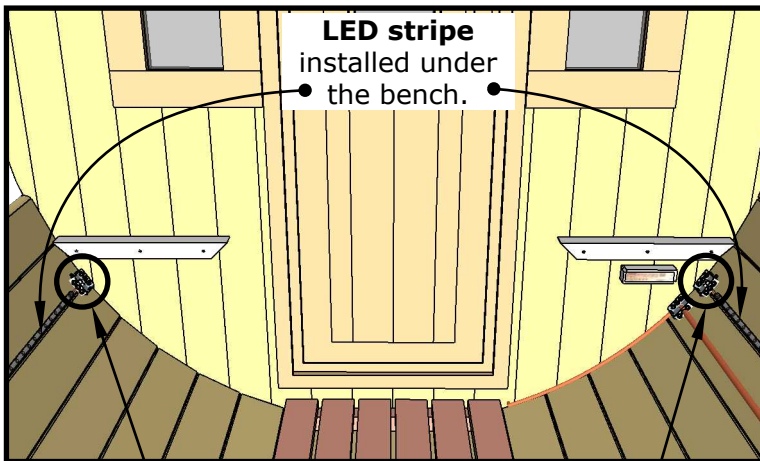
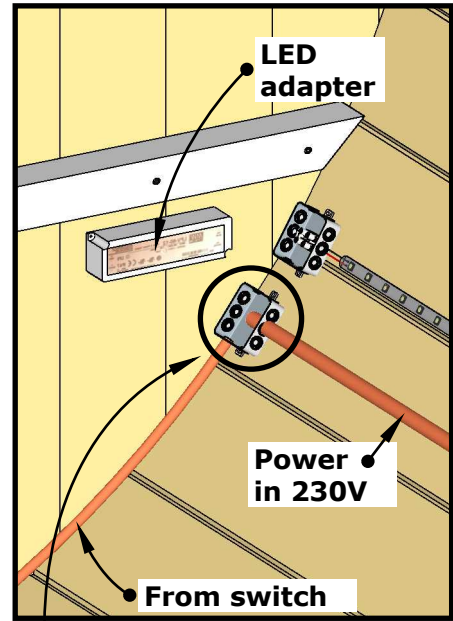
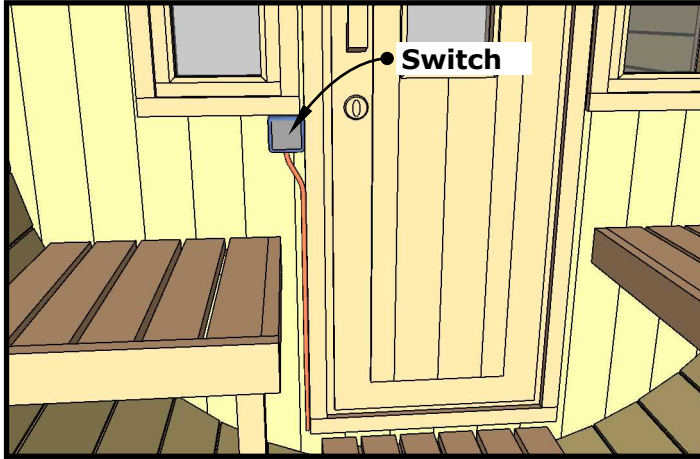
LED light installation

**ALL ELECTRICAL WORK
MUST BE PERFORMED BY
A LICENSED ELECTRICIAN !!!**



LED light installation

**ALL ELECTRICAL WORK
MUST BE PERFORMED BY
A LICENSED ELECTRICIAN !!!**



Close all Junction boxes tightly