



Aduro P1 series

**aduro.dk / aduro.no / adurofire.de / adurofire.com
aduro.fr / aduro.es / aduro.it**

Congratulations on your new Aduro Stove!

To get the best possible experience and benefit from your new Aduro Pellet Stove, it is important that you read the user manual thoroughly before you install the stove and start using it. Errors or incorrect settings can cause hazardous conditions and/or poor operation.

For further information, please go to www.adurofire.com.

At the back of the stove, you can find the production number and serial number. We recommend that you note down these numbers in the box below before mounting the stove. For the purposes of the warranty and for other enquiries, it is important that you are able to quote the production number as well as the serial number.

Production number:

Serial number:

Enjoy!

HOW TO SUCCEED WITH YOUR NEW ADURO STOVE

In our customer service center [Aduro Customer Service](#) you will find tips and tricks on how to succeed with your new Aduro stove. Here, you will have direct access to interesting content about installation and maintenance of your stove as well as support related information. Find us [here](#) and make the most of your Aduro stove.



1. Product safety

1.1 Compliance

The stove is built in compliance with standard EN 14785 using high quality and non-polluting materials.



Retain this manual for future reference. For any requirement or clarification, please contact the authorised retailer.

1.2 Safety warnings

- Installation and connection must be carried out by qualified staff in compliance with local regulation, national and European standards and with the annexed installation instructions. Furthermore, these operations must be performed by personnel who are authorised and professionally trained for the task in question.
- The combustion of waste, especially of plastic materials, damages the stove and the flue pipe. Moreover, it is forbidden by the law against the emission of harmful substances.
- Use only the fuel recommended by Aduro A/S. It is forbidden to use any liquid fuels and bioethanol fluids for lighting/rekindling pellets.
- Do not introduce into the stove an amount of fuel greater than the amount recommended in this manual.
- It is forbidden to use the appliance with the door open or the glass broken.
- Do not use the appliance as, for example, a clothes' drying rack, a bearing surface or step etc.
- Do not install the stove in bathrooms.

The pellets to be used are the following:

- The pellet stoves operate exclusively with pellets made from various types of legislative-compliant wood.
- DIN plus or EN plus 14961-2 A1 or PEFC/04-31-0220 or ONORM M7135 or having the following characteristics:
- Min calorific value 4.8 kWh/kg (4180 kcal/kg)
- Density 630-700 kg/m³
- Maximum humidity: 10% of the weight
- Diameter: 6 ±0.5 mm
- Percentage ash: max 1% of the weight
- Length: min 6 mm - max 30 mm
- Composition: 100% untreated wood from the industry of wood or post-consumption without the addition of binders, bark-free and compliant with current regulations.

1.3 General safety precautions

- Use the stove only as described in this manual. Any other use not recommended by the manufacturer may cause fires or accidents to people.
- Make sure that the electrical power available corresponds to the value indicated on the data plate (230V~/50Hz).
- Make sure children are not left unattended and do not use the appliance as a toy.
- Persons with reduced physical, sensory or mental capabilities or lack of experience and knowledge can use the stove if they have been given supervision or instruction concerning use of the stove in a safe way and understand the hazards involved.
- **Turn off the stove, disconnect it from the power supply and wait until it has cooled down completely before performing any maintenance operations. Pull the plug, not the cable.**
- Never block the combustion air inlets and flue outlets.
- Since the stove is fitted with electrical components, do not touch it with wet hands.
- **Do not use the appliance in case of damaged cables or plugs. Should the power supply cable be damaged, it can be replaced only by the manufacturer or by its technical assistance service or by a similarly qualified person.**
- Do not place any object on the cable and do not bend it.
- Avoid using extension cables as their temperature may increase excessively posing fire hazards. Never use one single extension cable to power several appliances.
- **ATTENTION! DO NOT TOUCH the FIRE DOOR, the GLASS, the HANDLE or the FLUE OUTLET DURING FUNCTIONING if not wearing adequate protective devices since they become extremely hot.**
- Keep inflammable materials, such as furniture, cushions, pillows, blankets, paper, clothing, curtains, etc., at least 80 cm away from the stove front and 30 cm from the stove sides and back.
- Do not immerse the cable, plug or any other appliance component in water or other liquids.
- Do not use the stove in dusty environments or wherever inflammable vapours are generated (e.g. in a workshop or garage).
- The stove is fitted with components that generate arcs and sparks. Do not install the stove in areas posing a significant fire or explosion hazard due to a high chemical substance concentration or to a high humidity level.
- Do not use the appliance close to bathtubs, showers, basins, sinks or swimming pools.
- Do not install the appliance underneath an air vent.
- Do not install the stove outdoors.
- Do not repair, disassemble or modify the appliance. The appliance is not fitted with components that can be repaired by users.
- **ATTENTION! This stove operates exclusively on pellets; DO NOT USE OTHER FUELS: any other material that may be burnt will result in failure and malfunction of the appliance.**
- **Keep the pellets in a fresh, dry place: storing pellets in a place that is damp or excessively cold may reduce the stove's potential heat output. Be careful when storing and handling pellet bags to prevent pellet crushing and consequent sawdust production.**
- The use of different types of pellets may result in a slight, sometimes even undetectable, change in the stove efficiency. This change can be counterbalanced by increasing or decreasing the stove's heat output by only one step.
- **Clean the burn pot on a regular basis upon every ignition or pellet refuelling.**
- Open the firebox only upon refuelling or removal of residues to prevent fumes from escaping.
- Do not switch the stove on and off intermittently to avoid damaging its electrical and electronic components.
- Do not use liquid fuels.

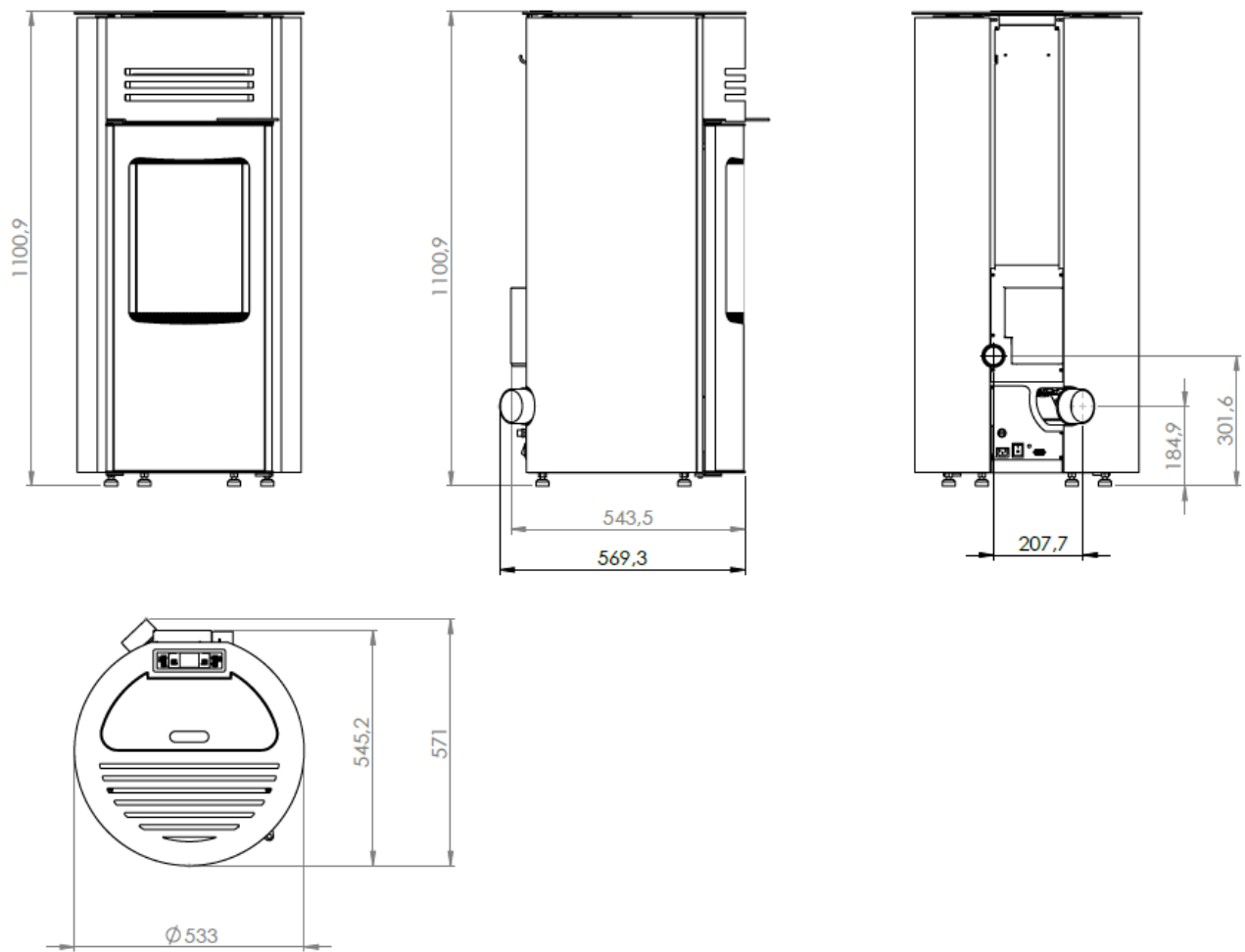
- Use only original spare parts provided by Aduro A/S.
- Avoid any improper transfers or knocks that may damage the structure or the components.
- The metal structure is coated using high temperature paints. When using the appliance for the first few times, unpleasant odours may be given off due to the paint of the metal parts that is drying: this is in no way dangerous and if it happens, simply ventilate the premises. After the first heating cycles, the paint will reach its maximum adhesion and all its chemical and physical features.
- To reload the pellet container, simply open the access lid and pour in the pellets. This can also be done during normal operation. Make sure not to come into contact with hot parts. Always refuel the pellet container before leaving the operating stove unattended for longer periods of time.
- Whenever the pellet container and the auger become completely empty, the appliance will be automatically switched off. Upon the next ignition you have to load pellets onto the auger (see 7.6).
- **ATTENTION! If the stove is not installed properly, power outages may result in fume spillages. Under specific circumstances, an uninterrupted power supply unit must be installed.**

2. Technical specifications

Power	2,8 kW	8 kW
Dimension (HxWxD)	1100.9 x 533 x 545.2 mm	
Weight	95 kg	
Fuel (dimension)	Wood pellets (Ø6 mm L≈30 mm)	
Exhaust / Inlet	Ø80 / Ø50 mm	
Draft	12±2 PA	
Pellet container capacity	15 kg	
Voltage	230V ± 15%	
Frequency	50 Hz	
Electrical power during the operation	55 – 160W *	
Electrical power during the initialization	400 – 460W **	
Maximal efficiency	92%	91%
Minimal power	2,8 kW	
Nominal use of pellet	1,4 kg	2,0 kg
Minimal use of pellet	0,7 kg	
CO emission reduced on 13%	0,0086%	0,0084%
Maximal exhaust gas temperature	75 °C	127 °C
Dust content	13 mg/m ³	15 mg/m ³
Mass flow	4,4 g/s	6,49 g/s
Operating temperature	5 - 60 °C	
Storage temperature	10 - 65 °C	
Max. relative humidity (with no condensation)	95%	
Flamme verte class	★★★★★★	
Energy Efficiency Index (EEI) / Class	122 / A+	

*depending on the fan as well as the motor reducer.

**igniter and emissions fan is on (400W), while motor reducer is occasionally getting on.



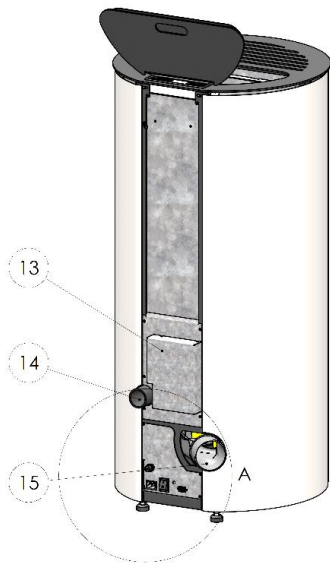
2.1 Transportation

When taking your stove home, please ensure that it travels in an upright position. The packaging must be disposed according to national rules regarding disposal of waste.

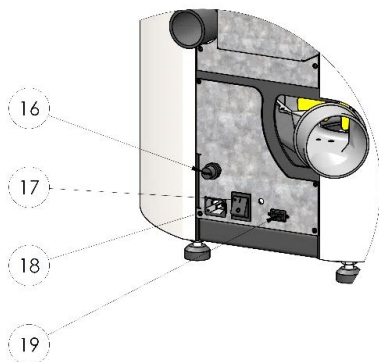
3. Basic features of the stove



1. Door
2. Door handle
3. Inside glass
4. Outside curved glass
5. Ashpan
6. Burning pot
7. Maintenance door
8. Side panel
9. Top plate
10. Pellet container
11. Pellet container door
12. Display with commands



13. Back side
14. Air intake
15. Flue outlet



16. Safety thermostat
17. Main switch
18. Socket 230V
19. Communication port (RS232)

4. Installation of the stove

4.1 Preliminary activities

(For which the retailer/installer is responsible and liable for at the time of the inspection before definitive installation).

The preliminary activities include:

- verification of installation site suitability;
- verification of external air inlet suitability;
- verification of fume evacuation system suitability;

At this stage, it is necessary to check that the product can be safely operated and that it satisfies the relevant technical characteristics.

The safety conditions must be ascertained by means of a prior inspection.

Stoves and fireplaces are heating systems and must be installed safely and comply with the manufacturer's instructions.

4.2 Installation

The installer and retailer have the responsibility of the installation and have to ensure compliance with all local rules and regulations, including the ones relating to national and European standards, when installing this device.

At this phase, the aspects of installation of the product and of the fume evacuation system are taken into account and the following issues are addressed:

- safety distance from combustible materials (see image below);
- chimney flue construction, smoke ducts, intubated systems and chimney cowls.

The stove is tested for air leakage and fulfils the norms for an airtight stove.

To ensure a clean and efficient combustion, the stove needs a constant uninterrupted air supply. This is often a problem in modern energy-efficient houses that are very airtight. The amount of air needed for combustion is 25 m³/h. This stove can be provided with combustion air through a channel from the outside which is connected to the connecting pipe behind the stove.

If there are any problems with the functioning of the chimney, these must be solved before installing the stove.

When connecting the stove to the smoke drain and flue tubes, carefully check if all connections are sealed to make sure that no gasses escape to the room.

4.3 Position of the stove/distance requirements

This stove must be installed in a suitable position. You need to be sure that the position complies with local regulations. Distance requirements will only apply if the stove is to be placed close to flammable materials:

Distance to flammable material (see also illustration below)			
Behind the stove	To the sides	To furniture	To the top
300 mm	300 mm	800 mm	400 mm



Make sure the stove stands stable, using the four adjustable feet.

If stove is to be placed close to flammable material such as a wooden floor or carpet it must be placed on a non-flammable base. The floor plate should extend for at least 30 cm in front of the stove and 15 cm on each side – measured from the combustion chamber opening.



The stove must be installed on a floor with the adequate load-bearing capacity. If the existing construction does not meet this requirement, appropriate adaptation measures must be taken (e.g. a load-distributing plate).

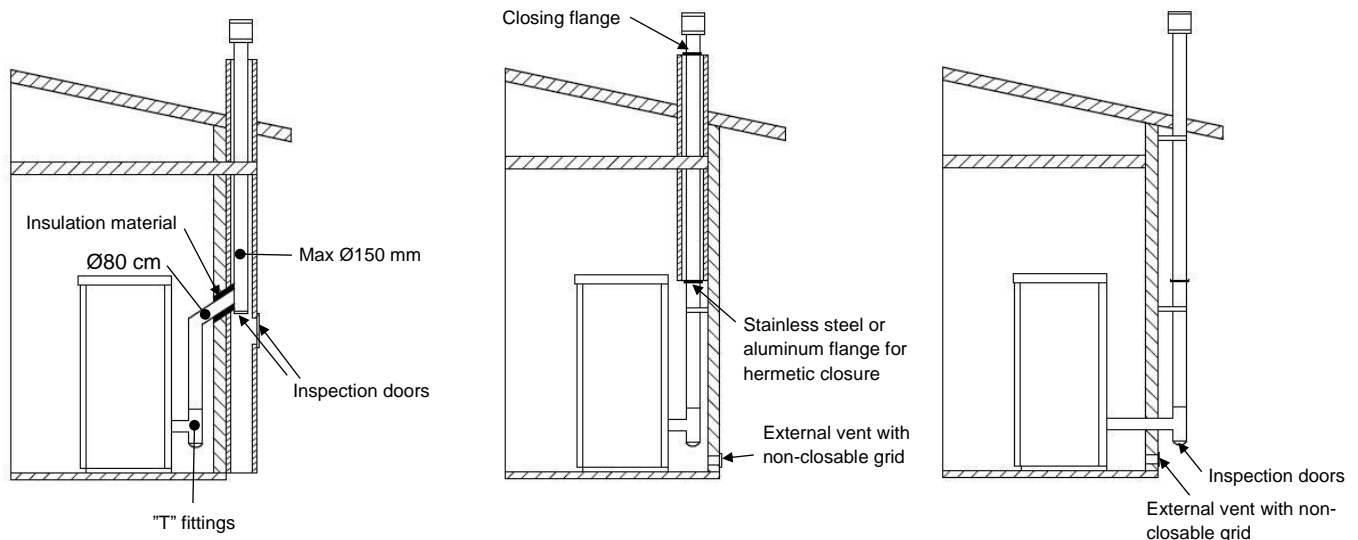
4.4 Flue pipe

The flue pipe is one of the key features for guaranteeing the proper functioning of the stove.

- The stove is fitted with a Ø80mm round flue outlet and a joint connection to be connected to the flue pipe.
- You must be able to clean all the pipes and corners. T-fittings and inspection doors should be used to make sure all parts of the flue pipe can be reached for cleaning purposes.
- Use telescopic joint connections to facilitate connection to the steel rigid flue pipe and counterbalance the thermal expansion of both the firebox and the flue pipe.
- Seal the flue pipe joint connection with high temperature silicone sealant (1,000°C). Should the existing flue opening not be perfectly perpendicular to the firebox flue outlet, use an elbow to connect them. Inclination must never exceed 45°, with respect to the vertical axis. No constrictions.
- The chimney must be insulated along its entire length. Thanks to the chimney insulation fume temperature will remain high optimizing draft, preventing condensation and reducing build-up of barely ignited particles along the flue pipe walls.
- The flue pipe in the room can be uninsulated for maximum 200 cm.
- The chimney and flue pipe must be weather-proof and as linear as possible.
- The chimney flue must be CE marked according to EN1443.

Flexible metal pipes may not be used.

Examples of flue pipes:



4.5 Draft

Fumes heat up during combustion, increasing their volume. Their density is therefore lower than the one of the surrounding colder air.

This difference between the inside and outside temperatures of the chimney results in the chimney draft.

The draft must be stronger than the fume circulation resistance so that all exhaust fumes generated during combustion inside the stove are drawn upwards through the outlet and the flue pipe. Many weather

conditions affect the vent pipe functioning, such as rain, fog, snow, altitude, and wind being the most important as it can create both negative pressure and dynamic loading.

The wind action varies depending on whether it is ascending, descending or horizontal.

- Ascending wind always results in an increased negative pressure and draft.
- Horizontal wind results in an increased negative pressure if the chimney cowl was installed properly.
- Descending wind always diminishes the negative pressure, sometimes inverting it.

Excess draft causes an increase in the combustion temperature and consequently a loss in stove efficiency.

At the same time the high fuel temperature, due to an excess amount of oxygen, wears down the combustion chamber sooner than expected.

On the other hand, poor draft slows down combustion resulting in a decrease in the stove temperature, fume spillage inside the room, a loss of stove efficiency and dangerous build-up of soot in the flue pipe.

5. Display and remote control

5.1. Remote control

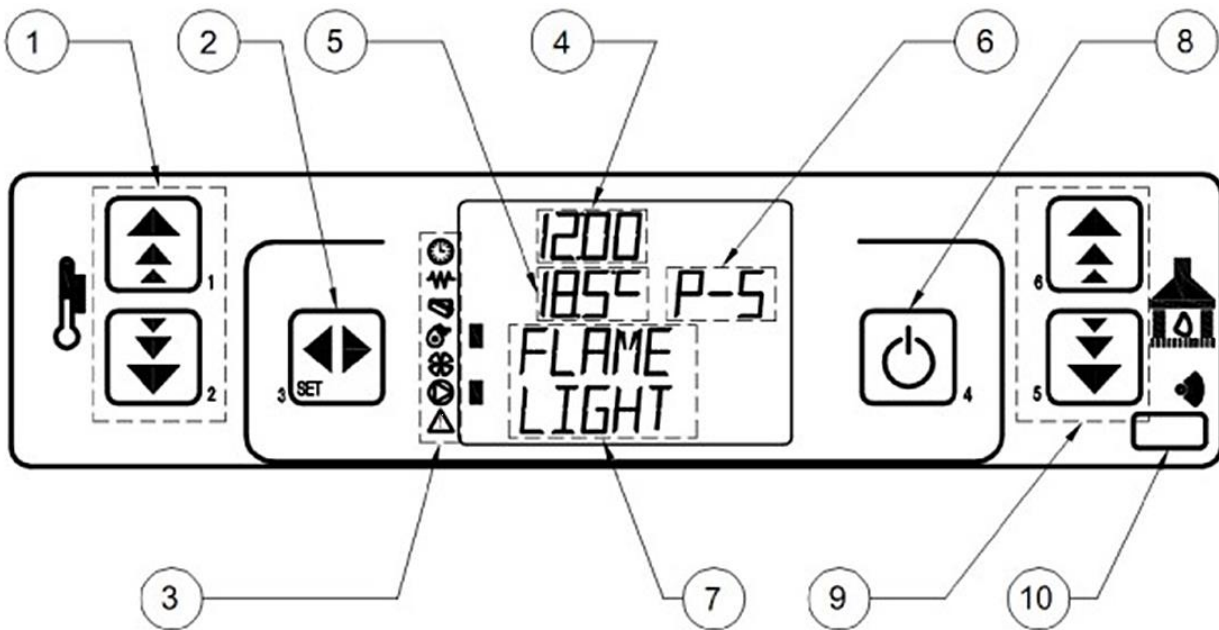
For the remote control, a battery type CR2025 3V should be used. It is inserted via the slot at the bottom of the remote control as shown in the image below. Take out the slot and place the battery in the holder before pushing the slot back in.



1. Temperature setting (buttons 1 and 2)
2. ON/OFF and Exit (button 3)
3. Enter/Set (button 4)
4. Operation mode setting (buttons 5 and 6)

5.2. Display








The display shows basic information about the stove's operation and has 6 buttons for various settings (see the description below).



1. Temperature setting (buttons 1 and 2)
2. Enter/Set (button 3)
3. Indicators for single components
4. Clock display
5. Room temperature display
6. Modes of operation
7. Current status information
8. ON/OFF and Exit (button 4)
9. Operation mode setting (buttons 5 and 6)
10. Remote control receiver

5.3 Symbols of the basic components of the stove

A bar will appear next to the indicators for the components that are currently active. The bar next to the indicator for the pellet insertion engine will therefore appear periodically as pellets are released to the burning pot. A description of the symbols is given in the following table.

	Timer (shows whether the timer function is ON or OFF)
	Igniter
	Engine for pellet insertion
	Exhaust fan
	Blower
	Water pump (not relevant for this model)
	Warning

6. Using the stove

First, make sure the stove is connected to the power source and the chimney.

Second, turn on the stove using the main switch on the back side.

From here on, the description will follow the button layout of the display on the stove. You may also use the remote control. However, be aware that buttons 3 and 4 have the opposite function on the remote compared to the display (see section 5.2 Remote control).

6.1 Turning on and turning off the stove

Press and hold button 4 to turn on the stove. The current status will switch to START and later to WAIT, LOAD PELLETS and FLAME WAIT.

Several bars will appear next to the component indicators currently working as for instance the igniter, the exhaust fan and the auger.

As soon as the exhaust gases have reached a temperature of 80°C, the current status will switch to WORK.

Every 30 minutes, the stove will clean the burning pot by blowing more air through the combustion chamber.

To turn off the stove, press and hold button 4 until the status switches to FINAL CLEANING. The pellet insertion will stop immediately while more air will circulate through the combustion chamber in order to clean the burning pot. This process will take 10-20 minutes.

6.2 Temperature and mode settings

The temperature can be set to anything between 7 and 40°C. Use the buttons 1 and 2 to increase or decrease the wanted room temperature.

The mode can be set to anything between P1 and P5. Use the buttons 5 and 6 to increase or decrease the power mode. The higher the power mode, the faster the wanted temperature will be reached. Once the set temperature is reached, the stove will regulate the power mode accordingly in order to maintain the wanted temperature.

7. Settings

In order to access the general programming menu, press button 3. Use the buttons 5 and 6 to navigate through the menu and button 3 to confirm and enter. Use the buttons 1 and 2 to change parameters within the selected menu. Press button 4 to exit.

7.1 Clock settings

Enter the menu by pushing button 3. The display now shows the message 01 SET CLOCK. Confirm with button 3.

Use the buttons 1 and/or 2, to choose the correct weekday.

By pushing button 5, you continue to the settings for hour, minute, day, month and year in that order. Button 6 allows you to go the opposite direction. With the buttons 1 and 2, the parameters for each setting can be adjusted. Once the setting is complete, press button 4 two times in order to return to the main screen.

7.2 Timer settings



Make sure that the starting up and shutting down time does not overlap. Be aware that at least 30 minutes need to pass between the two time periods.

There are three kinds of timer settings:

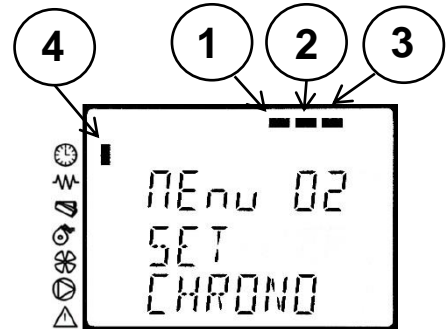
- Daily - allows you to define 2 time periods per day.
- Weekly - allows you to define 4 time periods which can be chosen for all 7 days of the week individually.
- Weekend - allows you to define 2 time periods which apply for both Saturday and Sunday.

7.2.1 How to turn on the timer

Press button 3 to enter the menu, followed by button 5 in order to get to the timer setting menu (02 SET CHRONO) and confirm with button 3. Press button 3 one more time and then use button 1 to switch between ON and OFF in order to activate or deactivate the timer function.

The following image shows where the active timer functions are indicated on the display. The respective bar will appear when the timer is activated and disappear when it is deactivated. The stove will only work according to the daily, weekly and weekend programs if the general timer is ON. This is indicated by the bar next to the timer symbol (4).

1. Daily programming indicator
2. Weekly programming indicator
3. Weekend programming indicator
4. Timer indicator



Use button 4 to exit the timer setting menu.

7.2.2 Daily programming

Enter menu 2, then press button 5 to continue to menu 2-2, the daily programming menu. Enter with button 3 and use button 5 to scroll through the different settings within this menu in the order shown in the table below (n2-2-01 to n2-2-05). Use the buttons 1 and 2 to change the respective values.

DAILY PROGRAMMING			
menu level	setting	meaning	available values
n2-2-01	CHRONO DAY	Enable daily chrono	ON/OFF
n2-2-02	START 1	Start time	OFF-00:00-23:50
n2-2-03	STOP 1	Stop time	OFF-00:00-23:50
n2-2-04	START 2	Start time	OFF-00:00-23:50
n2-2-05	STOP 2	Stop time	OFF-00:00-23:50

7.2.3 Weekly programming

The weekly programming allows you to create up to four time periods that can be activated or deactivated for every single weekday. If you want to activate more time periods for the same day, make sure that these periods do not overlap.

Enter menu 2, press button 5 (two times) and confirm with button 3 to enter menu 2-3, the weekly programming menu. Use button 5 to scroll through the different settings within this menu in the order shown in the table below (n2-3-01 to n2-3-37). Use the buttons 1 and 2 to change the respective values. First, you set the time period for program 1, then you activate this program for the wanted weekdays. This process is continued for the programs 2, 3 and 4. You can leave the menu at any time using button 4.

WEEKLY PROGRAMMING			
menu level	setting	meaning	available values
n2-3-01	CHRONO WEEK	Enable weekly chrono	ON/OFF
n2-3-02	START PRG 1	Start time	OFF-00:00-23:50
n2-3-03	STOP PRG 1	Stop time	OFF-00:00-23:50
n2-3-04	MONDAY		ON/OFF
n2-3-05	TUESDAY		ON/OFF
n2-3-06	WEDNESDAY		ON/OFF
n2-3-07	THURSDAY		ON/OFF
n2-3-08	FRIDAY		ON/OFF
n2-3-09	SATURDAY		ON/OFF
n2-3-10	SUNDAY		ON/OFF
n2-3-11	START PRG 2	Start time	OFF-00:00-23:50
n2-3-12	STOP PRG 2	Stop time	OFF-00:00-23:50
n2-3-13	MONDAY		ON/OFF
n2-3-14	TUESDAY		ON/OFF
n2-3-15	WEDNESDAY		ON/OFF
n2-3-16	THURSDAY		ON/OFF
n2-3-17	FRIDAY		ON/OFF
n2-3-18	SATURDAY		ON/OFF
n2-3-19	SUNDAY		ON/OFF
n2-3-20	START PRG 3	Start time	OFF-00:00-23:50
n2-3-21	STOP PRG 3	Stop time	OFF-00:00-23:50
n2-3-22	MONDAY		ON/OFF
n2-3-23	TUESDAY		ON/OFF
n2-3-24	WEDNESDAY		ON/OFF
n2-3-25	THURSDAY		ON/OFF
n2-3-26	FRIDAY		ON/OFF
n2-3-27	SATURDAY		ON/OFF
n2-3-28	SUNDAY		ON/OFF
n2-3-29	START PRG 4	Start time	OFF-00:00-23:50
n2-3-30	STOP PRG 4	Stop time	OFF-00:00-23:50
n2-3-31	MONDAY		ON/OFF
n2-3-32	TUESDAY		ON/OFF
n2-3-33	WEDNESDAY		ON/OFF
n2-3-34	THURSDAY		ON/OFF
n2-3-35	FRIDAY		ON/OFF
n2-3-36	SATURDAY		ON/OFF

n2-3-37	SUNDAY		ON/OFF
---------	--------	--	--------

7.2.4 Weekend programming

This program allows you to set two time periods which apply for both Saturday and Sunday.

Enter menu 2, press button 5 (three times) and confirm with button 3 to enter menu 2-4, the weekend programming menu. Use button 5 to scroll through the different settings within this menu in the order shown in the table below (n2-4-01 to n2-4-05). Use the buttons 1 and 2 to change the respective values.

WEEKEND PROGRAMMING			
<i>menu level</i>	<i>setting</i>	<i>meaning</i>	<i>available values</i>
n2-4-01	WEEKEND CHRONO	Enable weekend chrono	ON/OFF
n2-4-02	START 1	Start time	OFF-00:00-23:50
n2-4-03	STOP 1	Stop time	OFF-00:00-23:50
n2-4-04	START 2	Start time	OFF-00:00-23:50
n2-4-05	STOP 2	Stop time	OFF-00:00-23:50

7.3 Language settings

Enter the language setting menu by pressing button 3, followed by button 5 two times. Confirm with button 3 to enter menu 03. You can now choose between 6 languages: English, Italian, Dutch, Spanish, French and German. Use buttons 1 and/or 2 to change the language and button 4 to exit once the correct language is visible on the display.

7.4 Stand-by mode

The STAND-BY mode allows the stove to automatically turn off when the measured temperature exceeds the set room temperature with 2 °C and will turn back on when the measured room temperature is 2 °C below the set room temperature.

Enter menu 4 and change between ON and OFF by pressing button 1 or 2. Exit with button 4.

7.5 Sound alerts

The stove will make you aware of any potential alerts with a beep sound.

In order to activate or deactivate this sound alter, enter menu 5 and change between ON and OFF by pressing button 1 or 2. Exit with button 4.

7.6 Initial pellet loading

After filling the hopper with pellets for the first time, the auger needs to be filled with pellets. To do so press button 3, followed by button 5 five times. Confirm with button 3 to enter menu 06 – the display now shows 06 P1 TO LOAD. Press button 1 to start the initial pellet loading – a 90 sec countdown will start. Stop the process by pressing button 4 when the first pellets appear in the burning pot. If no pellets have reached the burning pot after 90 seconds, please repeat the initial pellet loading.

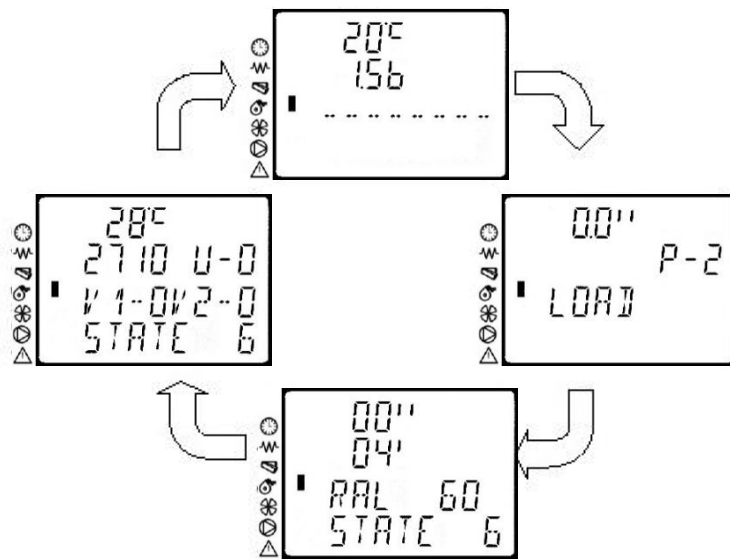
Whenever the pellet container runs empty during operation, ALARM 6 will appear on the display (see also Potential Errors). In this case, carry out the above described procedure as well.

7.7 Information on the operation of the stove

Menu 07 allows you to get current information about the operating mode, the exhaust gas temperature, the fan speed, the remaining time until the next action etc.

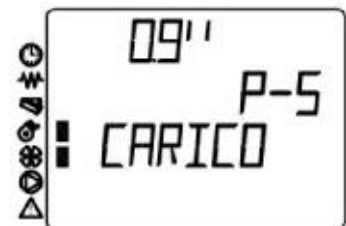
Press button 3, followed by button 5 six times. Confirm with button 3 to enter menu 07.

The information is shown on four screens that will rotate in the following manner:



This screen shows the current mode of the stove and the auger speed.

This screen can also be accessed by pressing and holding button 1 during normal operation.

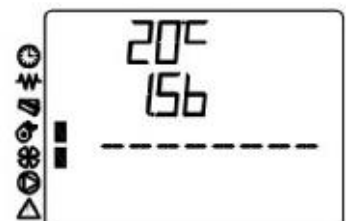


This screen shows the exhaust gas temperature and the exhaust fan speed.

This screen can also be accessed by pressing and holding button 2 during normal operation.

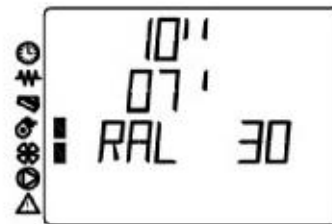


This screen is for central heating stoves only and therefore not relevant for the functioning of this stove.



This screen shows the time remaining in the current status before entering the next status.

This screen can also be accessed by pressing and holding button 6 during normal operation.



7.8 Technical settings

IMPORTANT!

Menu 08 is reserved only for professionals trained to adjust the stove. Any change in the parameters that was made by unauthorized persons will result in the loss of warranty!

8. Potential errors

When an error occurs, a bar will flash next to the warning indicator on the display, and the stove will automatically stop working. There are several errors that can occur during operation, which will be described in detail below.

8.1 Error caused by malfunction of the emissions fan

The display will show the messages AL 4 FAN FAILURE and ACTIVE ALARM alternately.

This error can occur due to:

1. fan jamming
2. the malfunction of the contact that supplies the fan with power
3. an interruption of power cables that are measuring the fan speed

You can access the status of the fan speed by pressing and holding button 2. The display will show 000 in the second line, indicating the stopped fan.

If this error occurs, you must contact your dealer or the authorized service partner.

8.2 Error caused by an inability to light the stove

The display will show the messages AL 5 NO LIGHTIN- and ACTIVE ALARM alternately.

This error can occur due to:

1. low exhaust gas temperature
2. the malfunction of the sensor that measures the exhaust gas temperature
3. an insufficient amount of pellets in the burning pot
4. defective fuses

8.3 Error caused by defective exhaust gas temperature sensor

You can access the exhaust gas temperature by pressing and holding button 2. If the exhaust gas temperature sensor is defective or not connected correctly, the display will show 373°C in the first line.

If this error occurs, you must contact your dealer or the authorized service partner.

If the exhaust gas temperature is below 40°C 25 minutes after turning on the stove, the stove will not start working. In this case, make sure the pellet container is filled with pellets and check whether pellets are falling into the burning pot. If this is not the case, try to start the stove once again. After another failure you must contact your dealer or the authorized service partner.

8.4 Error caused by malfunction of the igniter

Malfunction of the igniter can be noticed if there are no sparks or incandescent pellets when starting the stove. Sometimes, it is possible to see an incandescent igniter. In case of a malfunction of the igniter, you can also start the fire up with a hepo cube or gel plug. The sooner you contact your dealer or the authorized service partner, the better.

8.5 Error caused by empty pellet container

The display will show the messages AL 6 NO PELLET and ACTIVE ALARM alternately.

Cancel the alarm by pressing and holding button 4. Wait until the stove gets cold. Then, proceed according to the instructions in section 7.6 (initial pellet loading) and turn on the stove.

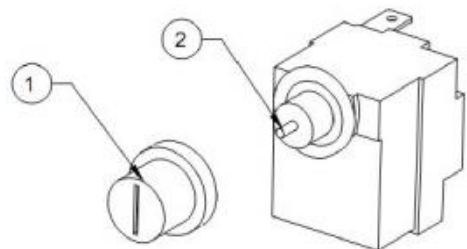


This alarm can also happen due to jamming of pellets of inadequate dimensions.

8.6 Error caused by a defective safety thermostat

The display will show the messages AL 7 SAFETY THERMAL and ACTIVE ALARM alternately.

Unscrew the lid on the safety thermostat (1) and check if the needle (2) is in or out. If the needle is out, push it in again, close the lid and turn on the stove again. If the needle is in, or if it cannot be retracted and the stove still reports the same error, contact your dealer or the authorized service partner.



8.7 Error caused by malfunctioning safe controls

The display will show the messages AL 8 FAILURE DEPRESS and ACTIVE ALARM alternately.

This error can occur due to:

1. a combustion chamber that is not sealed well enough
2. a blocked flue pipe or chimney
3. a low fan speed

Make sure the door gasket is placed correctly. If the gasket is not the problem, the chimney sweeper should clean the flue pipe in order to restore the functioning of the stove.

8.8 Error caused by defective probe/sensor

If the room temperature sensor is defective, the display will show 00.0°C instead of the current room temperature. If you are in doubt whether the room temperature is actually at 0°C or if the sensor is defective, hold the sensor in your hands to see if the temperature rises. You can find the room temperature sensor on the bottom back of the stove, next to the power plug. In case of malfunction of the sensor, call your dealer or the authorized service partner.

If the exhaust gas temperature exceeds 275°C, the message **HOT EXHAUST** appears on the display. The stove will automatically switch to a lower mode and reduce the temperature of exhaust gases. If this message occurs frequently, call your dealer or the authorized service partner. The stove can still be used at lower a heat level.

9. Cleaning and maintenance

During all cleaning, unplug the stove for safety reasons. Make sure the stove is cold before any cleaning and/or maintenance.

Before using an ash vacuum cleaner make sure there are no embers left.



To avoid burns, do not open door before door handle is cold!

9.1 General maintenance

Glass

Soot and dust can easily be removed using a damp cloth that you dip in cold ash and rub on the sooty glass. Special cleaning agents are also available to remove soot from the glass, e.g. the Aduro Easy Clean pad. The pad neither scratches nor damages the glass, and it can be used multiple times. Water or other cleaning agents are not necessary.

Gaskets

With time, gaskets around glass and door will wear. We recommend that you inspect them regularly. If leakages appear, they must be replaced.

It is common maintenance to tighten the glass fittings shortly after the stove has been installed as well as to check if the gaskets are properly placed.

Flue pipe

Annual cleaning of the flue pipe is essential as dust may cover the pipes – especially the horizontal ones. Use the inspection doors and T-fittings to reach all parts of the flue pipe.

Make sure that the dust released from the pipe during chimney sweeping does not reach and contaminate the exhaust fan.

After the last use before a longer period of inactivity, make sure to:

- Clean the stove properly
- Remove any remaining pellets from the hopper
- Completely empty the auger for pellets
- Unplug the power cable

9.2 Daily, weekly and monthly cleaning/maintenance

Daily

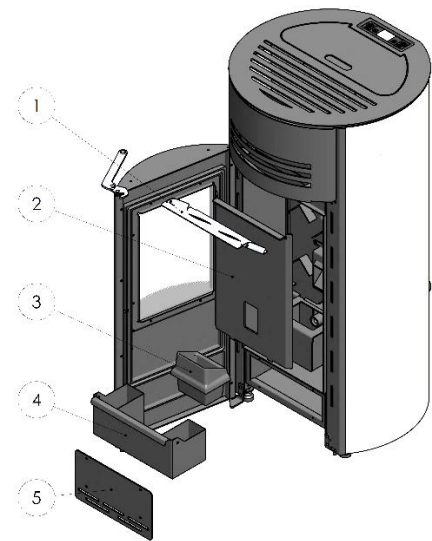
Clean the burning pot (3) thoroughly to avoid residues of ashes and partly burnt pellets.

We recommend emptying the ash tray (4) and to vacuum clean the combustion chamber and the door (around the gaskets) on a daily basis.

Upon every ignition, the burning pot must be checked for ashes and unburnt/partly burnt pellets.

Weekly

Once a week, the baffle plate (1) and the back plate (2) inside the combustion chamber should be removed in order to enable the cleaning of the covered parts. Use an ash vacuum cleaner and, if necessary, a soft brush or dry cloth.



Monthly

Every month, the box below the combustion chamber needs to be cleaned with an ash vacuum cleaner. Unscrew the 4 bolts to remove the cover plate (5). After cleaning, make sure the cover plate closes tightly.

The frequency of cleaning periods depends on the combustion. The better the combustion, the less residues will settle in the combustion chamber, the air channels and flue pipes.

9.3 Surface maintenance

Aduro P1

The stove's surface is treated with a heat-resistant paint, which will stay at its best just by being vacuumed with a small, soft mouthpiece or dusted with a soft, dry cloth. Do not use spirit or other solvents, as they will remove the paint.



Do **not** clean the stove with water. If the stove is exposed to moisture, it may develop rust.

Repairing the surface

Aduro P1 is painted with a heat-resistant paint that can withstand temperatures up to 500 degrees. If the surface of the stove gets scratched or wears down, it can easily be renewed using this type of paint. Everybody can repair the surface and obtain a perfect result. The paint is available in black metallic from your local dealer or at www.aduroshop.com.

Aduro P1.2

The stove's surface is treated with a powder coat paint. When cleaning the stove, avoid strong detergents and abrasives, and all products containing solvents, alcohols, acids, or any solvent. Painted and plastic parts can be cleaned with a slightly damp cloth and use only a mild detergent diluted with water.

9.4 Annual maintenance

The annual maintenance must be conducted by an authorized technician. Contact your retailer for further information.

9.5 Spare parts and unauthorized alterations

You may only use original spare parts for your stove. All forms of unauthorized alterations to the stove are strictly forbidden, as the stove will no longer comply with the approved specifications. At www.aduroshop.com you can buy original spare parts for your stove.

10. Accessories

For Aduro stoves we offer a wide product range of accessories to fulfil the experience: Companion sets, firewood baskets and buckets, fireplace grid, briquette buckets, floor hearths in glass and steel, flue pipes, Aduro Easy Firelighter, and Aduro Easy Clean pads. For further information, go to www.adurofire.com/accessories.

11. Right of complaint

In accordance with the Danish Sale of Goods Act, the right to claim is valid from the date of purchase of the stove. Receipt with date is valid as proof.

All pellet stoves may require adjustment of combustion air and auger speed in order to optimize function and in order to reach effective and clean combustion.

The right of complaint does not cover:

- Damages resulting from incorrect installation and use of the stove, overheating and wrong or missing maintenance of the stove etc.
- Consumable service parts (glass, gaskets, firebricks, handles, painted surfaces, electrical igniter, sensors/switches, cast iron grate), which are subject to normal wear and tear. You can buy these parts in our webshop www.aduraishop.com.
- Damages caused by electrical surcharge, (condensation) water in and around the chimney, too much or too little draught in the chimney and missing maintenance/cleaning.
- Mounting or demounting in connection with warranty repairs.
- Problems due to exposure to rain, snow etc.
- Transportation costs in connection with repairs within the warranty period.
- Damages to the stove caused by external influences or damages caused by the stove on other objects.